



## Sensor Faucets and Flush Valves

# 2800EM Series

## Battery Powered Sensor Operated Faucet

The 2800EM Series faucet is a single-hole deck mounted, piston operated sensory faucet that provides a vandal resistant, Lead Free, no touch solution with hot/cold mixing and manual on/off adjustments that promotes better hygiene and energy savings.

Designed to be easy to install and maintain, all major faucet components are encased above deck, making for easier access. The sensor included in this faucet is self adapting, meaning manual adjustments are not necessary.

- ADA Compliant. Meets all barrier free codes
- Conserves water and energy
- Easily installed in new or retrofit applications
- Competitively priced for today's commercial market
- Promotes cleanliness & hygiene
- Proven Hydrotek craftsmanship and reliability
- Lead Free

### Features

- Proprietary **Enduratek** energy saving design allows up to 1.5 million on/off cycles
- Vandal resistant faucet body with chrome plated, solid metal construction
- Above deck faucet design allows for quick and simple installation and access to all major faucet component parts.
- Above deck integral faucet mixing valve (with built-in checks) & manual on/off
- Unique, energy-saving design of electronics and solenoid valve contributes to longer battery life without water hammer.
- "Self-adapting" sensor distance adjustment eliminates the need for manual sensor adjustments.
- 30 second time-out feature prevents accidental sink overflow.
- Includes in-line filter adapter for easier cleaning.
- Low battery indicator light (battery powered models).
- Superior VSI silicone elastomer piston seals are unaffected by chlorine, chloramines, or ammonia.
- Standard 0.5 GPM flow control for water conservation and annual savings.
- Single-hole deck mount with optional 4" and 8" cover plate for vandal resistant three point anchoring.



### Compliances & Certifications



- ADA Compliant
- ASME A112.18.1
- NSF/ANSI Standard 372 - Lead Free Compliant

### Available Models

- HE-2800EM-LR:** Lead Free, Battery Powered with Enduratek

### Special Finishes

- Brushed Nickel (-BN)
- Matte Black (-MB)
- Additional Finishes Upon Request



The information contained within this document subject to change without notice

**5055 Forsyth Commerce Rd Ste 124, Orlando, FL 32807**

Phone: 800.922.9883 | Fax: 866.670.5580 | [hydrotekintl.com](http://hydrotekintl.com)

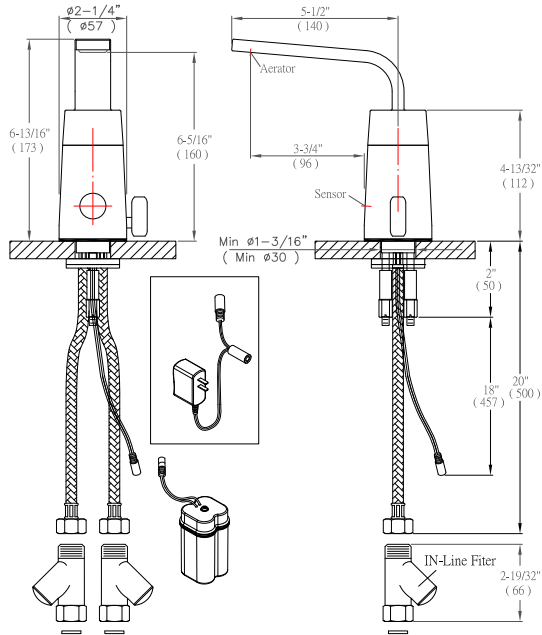


Sensor Faucets and Flush Valves

# 2800EM Series

Battery Powered Sensor Operated Faucet

## Deck Mounted



Unit : Inch (mm)

2800 Series

### Specifications:

Faucet Construction: . . . . . Solid brass, chrome plated  
 Mixing Valve (Built-in): . . . . . Adapts to internal or external adjustments  
 Manual on/off in external adjustment mode

### Control Circuit:

Auto Time-out: . . . . . 20 seconds  
 Sensor Range: . . . . . Self adapting  
 Shut-off Delay: . . . . . 0.5 second  
 Line Purge (request only): . . . . . 2 min run every 12 hr or 24 hr  
 Scrub Mode (request only): . . . . . 60, 120, 180 seconds  
 Solenoid Valve: . . . . . 6V DC, normally closed  
 Wattage: . . . . . 0.2W (idle), 3W (in use)  
 Operating Pressure: . . . . . 5 psi to 125 psi  
 Flow Control: . . . . . 0.5 GPM Laminar, vandal resistant

### Battery Mode with Enduratek

Battery Powered Models: . . . . . (4) AA Alkaline Batteries  
 Enduratek Service Life: . . . . . **1.5 million on/off cycles, up to 10 years**

### Package Includes:

- (1) Faucet with sensor/solenoid
- (1) 7.5V DC plug-in power adaptor (H-2800-LR Only)
- (1) Armored steel supply tube with filter
- (1) Mounting hardware
- (1) 0.5 GPM Laminar Flow Control
- (4) AA Alkaline batteries (HE-2800-LR Only)

### Dimensions:

Base Width (Outside Measurement) . . . . . 2-1/4"  
 Base Depth . . . . . 2-1/4"  
 Faucet Height (Aerator to Base) . . . . . 6-5/16"  
 Faucet Height Overall . . . . . 6-13/16"  
 Depth (Center of Aerator to Center of Faucet Base) . . . . . 5-1/2"  
 Mounting Bolt Length . . . . . 2"  
 Mounting Bolt Pattern . . . . . Single-hole mount

### Optional Variations and Accessories

- 0.35, 1.5, 2.0, 2.2 GPM Laminar Flow Control
- 4" or 8" Centerset Cover Plate
- HC-010E Multi-Unit Voltage Adapter (AC Powered Only)
- HBL-04 Thermostatic Mixing Valve with Checks

The information contained within this document subject to change without notice

5055 Forsyth Commerce Rd Ste 124, Orlando, FL 32807

Phone: 800.922.9883 | Fax: 866.670.5580 | hydrotekintl.com