



Sensor Faucets and Flush Valves

7000SLE Series

AC or Battery Powered Sensor Operated Faucet

The 7000SLE Series faucet is a piston operated, non-mixing solar sensor faucet that provides a vandal resistant, no touch lavatory solution that promotes better hygiene and energy savings.

The faucet uses ambient light to function and utilizes a battery back-up.

- **ADA Compliant.** Meets all barrier free codes
- Conserves water and energy
- Easily installed in new or retrofit applications
- Competitively priced for today's commercial market
- Promotes cleanliness & hygiene
- Proven Hydrotek craftsmanship and reliability
- Extended battery life

Features

- Vandal-resistant faucet body with chrome plated, solid brass construction.
- Faucet design allows quick "above the deck" access to all major faucet component parts.
- 30 second time-out feature prevents accidental sink overflow.
- Low battery indicator light (battery powered models only).
- Powered by 6V DC solar energy module with battery back-up.
- Standard 0.5 GPM flow control for water conservation and annual savings.
- Single-hole deck mounting with optional 4" and 8" cover plate for vandal resistant, three point anchoring.
- Patented electronics and slow closing solenoid valves provide reliable and smooth operation without water hammer.
- Preset/adjustable sensor range of 6" - 8" for various installation requirements.
- Includes in-line filter adapter for easier cleaning.
- Superior VSI silicone elastomer piston seals are unaffected by chlorine, chloramines, or ammonia.



Compliances & Certifications



- ADA Compliant
- ASME A112.18.1
- NSF/ANSI Standard 372 - Lead Free Compliant

Available Models

- HB-7000SLE-LR:** Lead Free, Solared Powered

Special Finishes

- Additional Finishes Upon Request

The information contained within this document subject to change without notice

5055 Forsyth Commerce Rd Ste 124, Orlando, FL 32807

Phone: 800.922.9883 | Fax: 866.670.5580 | hydrotekintl.com



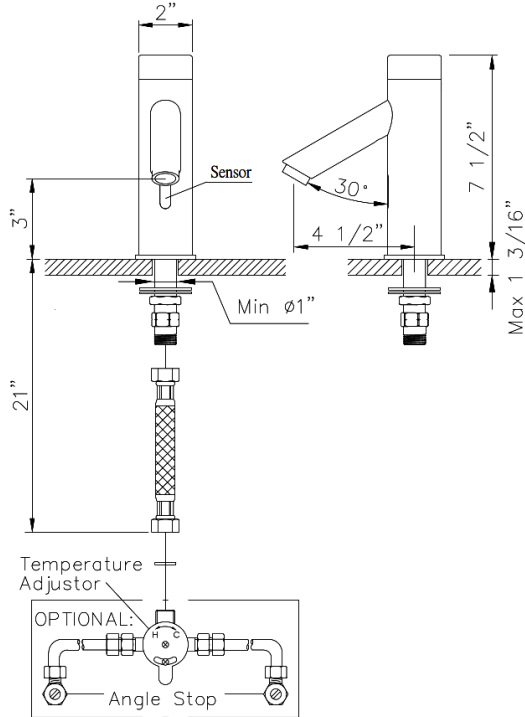
Sensor Faucets and Flush Valves

7000SLE Series

AC or Battery Powered Sensor Operated Faucet

Deck Mounted

HB-7000SLE-LR (Battery Powered)



Specifications:

- Faucet Construction: Solid brass, chrome plated
- Control Circuit:
 - Auto. Time-out: 30 seconds
 - Sensor Range: Preset and adjustable from 6"-8"
 - Shut-off Delay: 1 second
- Solenoid Valve: 6V DC, normally closed
- Wattage: 0.2W (idle), 3W (in use)
- Operating Pressure: 5 psi to 125 psi
- Flow Control: 0.5 GPM, Rosette, Vandal Resistant

Battery Mode

- Battery Powered Models: (4) AA Alkaline Batteries
- Battery Service Life: 650,000 on/off cycles, up to 6 years

Package Includes:

- (1) Faucet with sensor/solenoid
- (1) Armored S.S. supply tube with filter
- (1) Mounting rubber, washer, lock nut
- (1) 0.5 GPM Rosette Flow Control
- (4) AA Alkaline batteries

Dimensions:

- Base Depth 2"
- Faucet Height (Aerator to Base) 3"
- Faucet Height Overall 7-1/2"
- Mounting Rod Length 2"
- Mounting Rod Size 1"

Optional Variations and Accessories

- 1.5 VR Soft Flow, 0.35, 2.2 GPM Laminar Flow Control
- 4" or 8" Centerset Cover Plate
- HC-001 Mixing/Checking Valve (Mechanical)
- HBL-03-LR Thermostatic Mixing Valve with Check (Lead Free)

The information contained within this document subject to change without notice

5055 Forsyth Commerce Rd Ste 124, Orlando, FL 32807

Phone: 800.922.9883 | Fax: 866.670.5580 | hydrotekintl.com