



Sensor Faucets and Flush Valves

## 6300-LR Series

AC or Battery Powered Sensor Operated Faucet

The 6300-LR Series faucet is a single-hole deck mounted, piston operated sensory faucet that provides a vandal resistant, Lead Free, no touch solution that promotes better hygiene and energy savings.

Designed to be easy to install and maintain, all major faucet components are encased above deck, making for easier access. The sensor included in this faucet is self adapting, meaning manual adjustments are not necessary.

- ADA Compliant. Meets all barrier free codes
- Conserves water and energy
- Easily installed in new or retrofit applications
- Competitively priced for today's commercial market
- Promotes cleanliness & hygiene
- Proven Hydrotek craftsmanship and reliability
- Lead Free

### Features

- Proprietary **Enduratek** energy saving design allows up to 1.5 million on/off cycles
- Vandal resistant faucet body with chrome plated, solid metal construction
- Above deck faucet design allows for quick and simple installation and access to all major faucet component parts.
- Available in AC powered and battery powered versions.
- Unique, energy-saving design of electronics and solenoid valve contributes to longer battery life without water hammer.
- "Self-adapting" sensor distance adjustment eliminates the need for manual sensor adjustments.
- 30 second time-out feature prevents accidental sink overflow.
- Includes in-line filter adapter for easier cleaning.
- Low battery indicator light (battery powered models).
- Superior VSI silicone elastomer piston seals are unaffected by chlorine, chloramines, or ammonia.
- Standard 1.5 GPM flow control for water conservation and annual savings.
- Single-hole deck mount with optional 4" and 8" cover plate for vandal resistant three point anchoring.



### Compliances & Certifications



- ADA Compliant
- ASME A112.18.1
- NSF/ANSI Standard 372 - Lead Free Compliant

### Available Models

- H-6300-LR:** Lead Free, AC Powered
- HE-6300-LR:** Lead Free, Battery Powered with Enduratek

The information contained within this document subject to change without notice

5055 Forsyth Commerce Rd Ste 124, Orlando, FL 32807

Phone: 800.922.9883 | Fax: 866.670.5580 | hydrotekintl.com



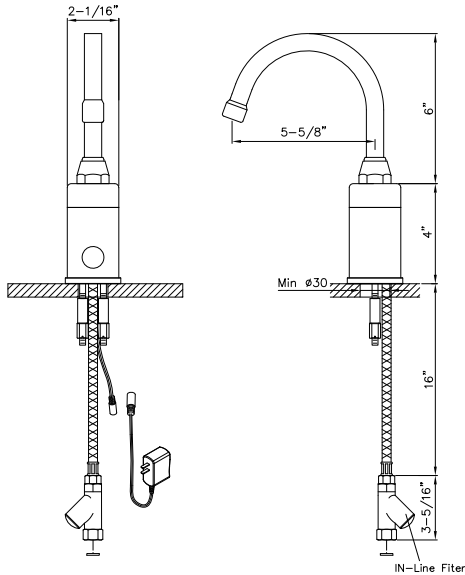
Sensor Faucets and Flush Valves

# 6300-LR Series

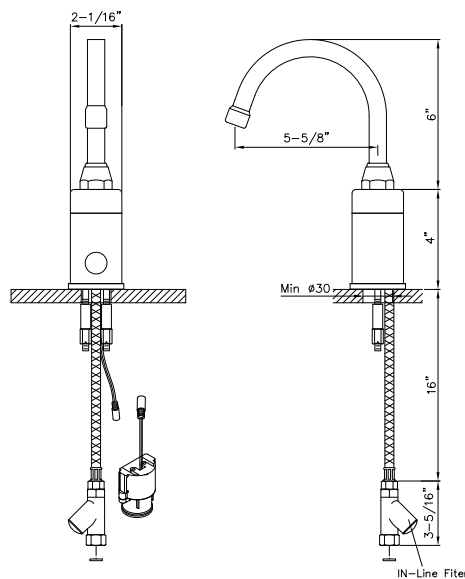
AC or Battery Powered Sensor Operated Faucet

## Deck Mounted

### H-6300-LR (AC Powered)



### HE-6300-LR (Battery Powered)



#### Specifications:

- Faucet Construction: . . . . . Solid brass, chrome plated
- Control Circuit:
  - Auto. Time-out: . . . . . 30 seconds
  - Sensor Range: . . . . . Self adapting
  - Shut-off Delay: . . . . . 0.5 second
  - Line Purge (request only): . . . . . 2 min run every 12 hr or 24 hr
  - Scrub Mode (request only): . . . . . 60, 120, 180 seconds
- Solenoid Valve: . . . . . 6V DC, normally closed
- Wattage: . . . . . 0.2W (idle), 3W (in use)
- Operating Pressure: . . . . . 5 psi to 125 psi
- Flow Control: . . . . . 1.5 GPM Laminar, vandal resistant

#### AC Mode

- Power Adapter
  - Standard Plug-in: . . . . . Input AC 120V 60 Hz or 220V (UL/CSA) . . . . . Output DC 7.5V, 0.8A/Class 2
  - Power Cable: . . . . . Armored, vandal resistant
- Optional Multi-Unit Adapter: . . . . . Serves up to 6 faucets (UL/CSA) . . . . . Input AC 120V, Output DC 7.5V, 3A

#### Battery Mode with Enduratek

- Battery Powered Models: . . . . . (4) AA Alkaline Batteries
- Enduratek Service Life: . . . . . **1.5 million on/off cycles, up to 10 years**

#### Package Includes:

- (1) Faucet with sensor/solenoid
- (1) 3" Gooseneck spout
- (1) 7.5V DC plug-in power adaptor (H-6300-LR Only)
- (1) Armored steel supply tube with filter
- (1) Mounting hardware
- (1) 1.5 GPM Laminar Flow Control
- (4) AA Alkaline batteries (HE-6300-LR Only)

#### Dimensions:

- Base Width (Outside Measurement) . . . . . 2-1/16"
- Base Depth . . . . . 2-1/16"
- Faucet Height (Aerator to Base) . . . . . 6-7/8"
- Faucet Height Overall . . . . . 10"
- Depth (Center of Aerator to Center of Faucet Base) . . . . . 5-5/8"
- Mounting Bolt Length . . . . . 2"
- Mounting Bolt Pattern . . . . . Single-hole mount

#### Optional Variations and Accessories

- 0.35, 2.0, 2.2 GPM Laminar Flow Control
- 4" or 8" Centerset Cover Plate
- HC-010E Multi-Unit Voltage Adapter (AC Powered Only)
- HBL-03-LR Thermostatic Mixing Valve with Checks (Lead Free)
- Different spout styles and sizes available upon request

The information contained within this document subject to change without notice

5055 Forsyth Commerce Rd Ste 124, Orlando, FL 32807

Phone: 800.922.9883 | Fax: 866.670.5580 | hydrotekintl.com