



Sensor Faucets and Flush Valves

## 5000E Series

AC or Battery Powered Sensor Operated Faucet

The 5000E Series faucet is an elegant piston operated sensory faucet that provides a vandal resistant, no touch lavatory solution that promotes better hygiene and energy savings.

Designed to be easy to install and maintain, all major faucet components are encased above deck, making for easier access. The sensor included in this faucet is self adapting, meaning manual adjustments are not necessary and the innovative sensor placement eliminates ambient reflectivity issues.

- ADA Compliant. Meets all barrier free codes
- Conserves water and energy
- Easily installed in new or retrofit applications
- Competitively priced for today's commercial market
- Promotes cleanliness & hygiene
- Proven Hydrotek craftsmanship and reliability

### Features

- Proprietary **Enduratek** energy saving design allows up to 1.5 million on/off cycles
- Vandal resistant faucet body with chrome plated, solid metal construction
- Faucet design allows for quick and simple installation.
- Clam shell design allows for easy "above the deck" access to all major faucet component parts.
- Slow closing solenoid valve provides reliable and smooth operation without water hammer.
- Available in AC powered and battery powered versions.
- Unique, energy-saving design of electronics and solenoid valve contributes to longer battery life.
- AC power input cable is armored and vandal resistant (AC powered version).
- Sensor eye positioning eliminates ambient reflectivity issues.
- "Self-adapting" sensor distance adjustment eliminates the need for manual sensor adjustments.
- 30 second time-out feature prevents accidental sink overflow.
- Built-in, replaceable filter screen reduces maintenance costs.
- Low battery indicator light.
- Unique electronic control module allows for faucet electronic component diagnostics.
- Standard 0.5 GPM vandal resistant aerator.
- Single-hole deck mount with optional 4" and 8" cover plate for vandal resistant three point anchoring.



### Compliances & Certifications



- ADA Compliant
- ASME A112.18.1
- NSF/ANSI Standard 372 - Lead Free Compliant

### Available Models

- H-5000E-LR:** Lead Free, AC Powered
- HE-5000E-LR:** Lead Free, Battery Powered with Enduratek

### Special Finishes

- Matte Black (-MB)
- Additional Finishes Upon Request



The information contained within this document subject to change without notice

5055 Forsyth Commerce Rd Ste 124, Orlando, FL 32807

Phone: 800.922.9883 | Fax: 866.670.5580 | hydrotekintl.com



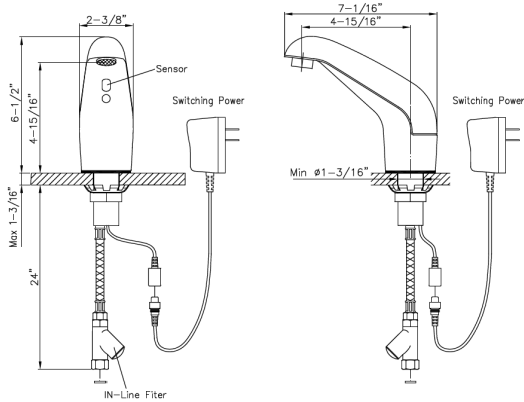
Sensor Faucets and Flush Valves

# 5000E Series

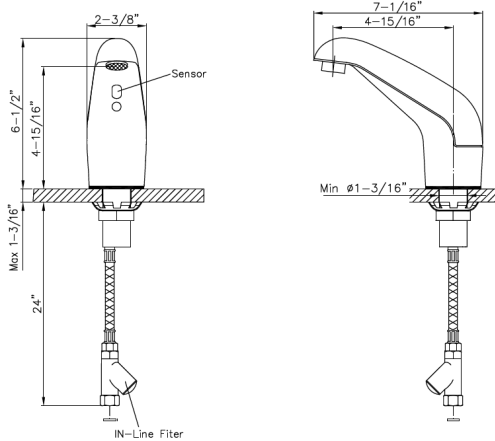
AC or Battery Powered Sensor Operated Faucet

## Deck Mounted

### H-5000E (AC Powered)



### HE-5000E (Battery Powered)



#### Specifications:

- Faucet Construction: . . . . . Metal & chrome plated
- Control Circuit:
  - Auto. Time-out: . . . . . 30 seconds
  - Sensor Range: . . . . . Self adapting
  - Shut-off Delay: . . . . . 1 second
- Solenoid Valve: . . . . . 6V DC, normally closed
- Wattage: . . . . . 0.2W (idle), 3W (in use)
- Operating Pressure: . . . . . 5 psi to 125 psi
- Flow Control: . . . . . 0.5 GPM Laminar, vandal resistant

#### AC Mode

- Power Adapter
  - Standard Plug-in: . . . . . Input AC 120V 60 Hz (UL/CSA) . . . . . Output DC 7.5V, 0.8A/Class 2
  - Power Cable: . . . . . Armored, vandal resistant
- Optional Multi-Unit Adapter: . . . . . Serves up to 8 faucets (UL/CSA) . . . . . Input AC 120V, Output DC 7.5V, 3A

#### Battery Mode

- Battery Powered Models: . . . . . (4) AA Alkaline Batteries
- Enduratek Service Life: . . . . . **1.5 million on/off cycles, up to 10 years**

#### Package Includes:

- (1) Faucet with sensor/solenoid
- (1) 7.5V DC plug-in power adaptor (H-5000E & H-5000E-LR Only)
- (2) Armored steel supply tube with filter
- (1) Mounting lock nut and washer
- (1) 0.5 GPM vandal resistant Rosette flow control
- (4) AA Alkaline batteries (HE-5000E & HE-5000E-LR Only)

#### Dimensions:

- Base Width (Outside Measurement) . . . . . 2-3/8"
- Base Depth . . . . . 2-3/8"
- Faucet Height (Aerator to Base) . . . . . 4-7/8"
- Faucet Height Overall . . . . . 6-1/2"
- Depth (Center of Aerator to Center of Faucet Base) . . . . . 4-7/8"
- Mounting Bolt Length . . . . . 2-1/4"
- Mounting Bolt Size . . . . . 1-1/8"

#### Optional Variations and Accessories

- 1.5 GPM VR Soft Flow or 0.35, 2.2 GPM Laminar Flow Control
- 4" or 8" Centerset Cover Plate
- HC-010E Multi-Unit Voltage Adapter (AC Powered Only)
- HBL-03-LR Thermostatic Mixing Valve with Checks (Lead Free)

The information contained within this document subject to change without notice

5055 Forsyth Commerce Rd Ste 124, Orlando, FL 32807

Phone: 800.922.9883 | Fax: 866.670.5580 | hydrotekintl.com