



Sensor Faucets and Flush Valves

HE8200RF-0.5

0.5 GPF

Battery Powered Retrofit Flush Valve (Urinal)

Description

Battery powered, sensor operated, water conserving, retrofit urinal flush valve for floor mounted or wall hung top spud bowls.

Flush Cycle

- 0.5 GPF
 - * Flush valves may not function with all bowls. Be sure to verify flow requirements with bowl manufacturer.
 - * Flow rate is field adjustable

Specifications

Exposed, Piston Operated, Chrome Plated, Retrofit Urinal Flush Valve with the following features:

- Forward Removable Top Cap - No Need for Special ADA Handicap Bars Concessions
- Standard Brass/Chrome Plated All Metal Construction
- Hybrid Piston/Diaphragm Flushing Mechanism
- Reliable, Latching Solenoid Valve
- Standard Manual –Mechanical Override Button
- Field Adjustable to Left or Right Rough-In
- Operating Pressures: 20-125 PSI
- Standard Self-Cleaning Filtering System
- Superior VSI Silicone Elastomer Piston Seals are Unaffected by Chlorine, Chloramines, and Ammonia
- ADA Compliant—Infrared Sensor Operated for “No Hands” operation
- Self Adjusting Sensor
- High Copper, Low Zinc Brass Casting for Dezincification Resistance
- 36-hour Sentinel Flush
- (4) AA Alkaline Batteries—Furnished

Electrical Specifications

- Battery: (4) AA Alkaline Batteries
- Solenoid Valve and Sensor, 6V DC
- Battery Service Life: 1.5 **MILLION** flushes, up to 10 years



Compliances & Certifications



- ADA Compliant
- ASSE 1037/ASME A112.1037/CSA B125.37-2015
- IPC, IRC, and UPC Compliant
- WaterSense Listed - WaterSense compliant when used with a 0.5 GPF WaterSense Fixture

The information contained within this document subject to change without notice

5055 Forsyth Commerce Rd Ste 124, Orlando, FL 32807

Phone: 800.922.9883 | Fax: 866.670.5580 | hydrotekintl.com



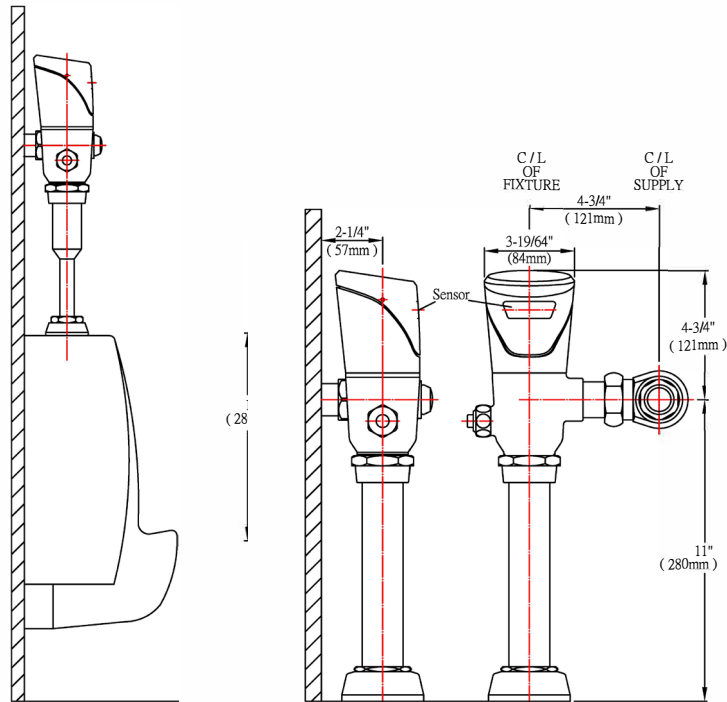
Sensor Faucets and Flush Valves

HE8200RF-0.5

0.5 GPF

Battery Powered Retrofit Flush Valve (Urinal)

Rough-in Dimensions



HB8200 Toilet:
 3/4" IPS Angle Stop
 3/4" Top Squd

Unit : Inch (mm)

8200 Series

The information contained within this document subject to change without notice

5055 Forsyth Commerce Rd Ste 124, Orlando, FL 32807
 Phone: 800.922.9883 | Fax: 866.670.5580 | hydrotekintl.com