



Sensor Faucets and Flush Valves

**HE8200-0.125**

**0.125 GPF**

**Battery Powered Flush Valve (Urinal)**

### Description

Battery powered, sensor operated, water conserving, urinal flush valve for floor mounted or wall hung top spud bowls.

### Flush Cycle

- 0.125 GPF
  - \* Flush valves may not function with all bowls. Be sure to verify flow requirements with bowl manufacturer.
  - \* Flow rate is field adjustable

### Specifications

Exposed, Piston Operated, Chrome Plated, Urinal Flush Valve with the following features:

- Forward Removable Top Cap - No Need for Special ADA Handicap Bars Concessions
- Standard Brass/Chrome Plated All Metal Construction
- Hybrid Piston/Diaphragm Flushing Mechanism
- Reliable, Latching Solenoid Valve
- Standard Manual –Mechanical Override Button
- Field Adjustable to Left or Right Rough-In
- Operating Pressures: 20-125 PSI
- Standard Self-Cleaning Filtering System
- Superior VSI Silicone Elastomer Piston Seals are Unaffected by Chlorine, Chloramines, and Ammonia
- ADA Compliant—Infrared Sensor Operated for “No Hands” operation
- Self Adjusting Sensor
- Adjustable Tailpiece
- ¾” I.P.S. Angle Stop Valve with Vandal Resistant Cap
- High Back Pressure Vacuum Breaker / Flush Tube Connection
- Spud Coupling and Flange for ¾” Top Spud
- Sweat Solder Adapter with Cover Tube and Wall Flange
- High Copper, Low Zinc Brass Casting for Dezincification Resistance
- 36-hour Sentinel Flush
- (4) AA Alkaline Batteries—Furnished

### Electrical Specifications

- Battery: (4) AA Alkaline Batteries
- Solenoid Valve and Sensor, 6V DC
- Battery Service Life: 1.5 **MILLION** flushes, up to 10 years



### Compliances & Certifications



- ADA Compliant
- ASSE 1037/ASME A112.1037/CSA B125.37-2015
- IPC, IRC, and UPC Compliant
- WaterSense Listed - WaterSense compliant when used with a 0.5 GPF WaterSense Fixture

The information contained within this document subject to change without notice

**5055 Forsyth Commerce Rd Ste 124, Orlando, FL 32807**

Phone: 800.922.9883 | Fax: 866.670.5580 | [hydrotekintl.com](http://hydrotekintl.com)



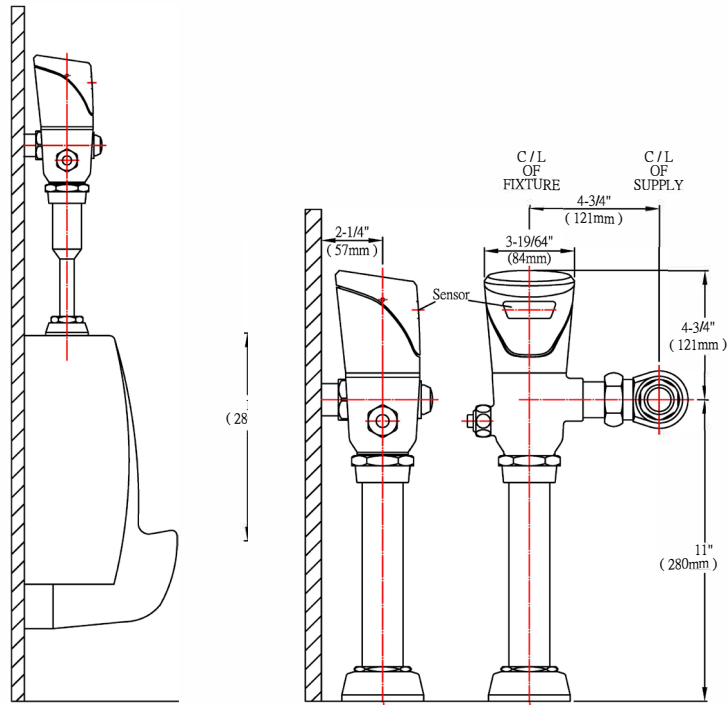
Sensor Faucets and Flush Valves

**HE8200-0.125**

0.125 GPF

Battery Powered Flush Valve (Urinal)

**Rough-in Dimensions**



HB8200 Toilet:  
3/4" IPS Angle Stop  
3/4" Top Squd

Unit : Inch (mm)

8200 Series

The information contained within this document subject to change without notice

**5055 Forsyth Commerce Rd Ste 124, Orlando, FL 32807**

Phone: 800.922.9883 | Fax: 866.670.5580 | [hydrotekintl.com](http://hydrotekintl.com)