



**Sensor Faucets and Flush Valves**

# 7000E Series

## AC or Battery Powered Sensor Operated Faucet

The 7000E Series faucet is a piston operated, non-mixing sensory faucet that provides a vandal resistant, no touch lavatory solution that promotes better hygiene and energy savings.

- **ADA Compliant.** Meets all barrier free codes
- Conserves water and energy
- Easily installed in new or retrofit applications
- Competitively priced for today’s commercial market
- Promotes cleanliness & hygiene
- Proven Hydrotek craftsmanship and reliability

### Features

- Vandal-resistant faucet body with chrome plated, solid brass construction.
- Faucet design allows quick “above the deck” access to all major faucet component parts.
- 30 second time-out feature prevents accidental sink overflow.
- Low battery indicator light (battery powered models only).
- Standard 0.5 GPM flow control for water conservation and annual savings.
- Single-hole deck mounting with optional 4” and 8” cover plate for vandal resistant, three point anchoring.
- Patented electronics and slow closing solenoid valves provide reliable and smooth operation without water hammer.
- Preset/adjustable sensor range of 6” - 8” for various installation requirements.
- Includes in-line filter adapter for easier cleaning.
- Superior VSI silicone elastomer piston seals are unaffected by chlorine, chloramines, or ammonia.



### Compliances & Certifications



- ADA Compliant
- ASME A112.18.1
- NSF/ANSI Standard 372 - Lead Free Compliant

### Available Models

- H-7000E-LR:** Lead Free, AC Powered
- HE-7000E-LR:** Lead Free, Battery Powered with Enduratek

### Special Finishes

- Additional Finishes Upon Request

The information contained within this document subject to change without notice

**5055 Forsyth Commerce Rd Ste 124, Orlando, FL 32807**

Phone: 800.922.9883 | Fax: 866.670.5580 | hydrotekintl.com



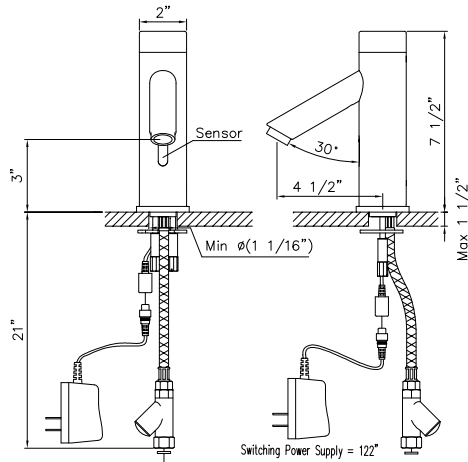
Sensor Faucets and Flush Valves

# 7000E Series

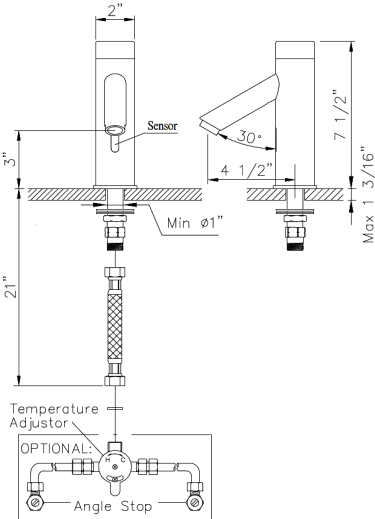
AC or Battery Powered Sensor Operated Faucet

## Deck Mounted

### H-7000E-LR (AC Powered)



### HE-7000E-LR (Battery Powered)



#### Specifications:

- Faucet Construction: . . . . . Solid brass, chrome plated
- Control Circuit:
  - Auto. Time-out: . . . . . 30 seconds
  - Sensor Range: . . . . . Preset and adjustable from 6"-8"
  - Shut-off Delay: . . . . . 1 second
- Solenoid Valve: . . . . . 6V DC, normally closed
- Wattage: . . . . . 0.2W (idle), 3W (in use)
- Operating Pressure: . . . . . 5 psi to 125 psi
- Flow Control: . . . . . 0.5 GPM, Rosette, Vandal Resistant

#### AC Mode

- Power Adapter (UL/CSA)
  - Standard Plug-in: . . . . . Input AC 120V 60 Hz or 220V
  - Output DC 7.5V, 0.8A/Class 2
- Power Cable: . . . . . Armored, vandal resistant
- Optional Multi-Unit Adapter: . . . . . Serves up to 10 faucets (UL/CSA)
  - Input AC 120V, Output DC 7.5V, 3A

#### Battery Mode

- Battery Powered Models: . . . . . (4) AA Alkaline Batteries
- Battery Service Life: . . . . . 400,000 on/off cycles, up to 4 years

Warranty: . . . . . 3 years

#### Package Includes:

- (1) Faucet with sensor/solenoid
- (1) 7.5V DC plug-in power adaptor (*H-7000E-LR Only*)
- (1) Adapter with filter
- (1) Mounting rubber, washer, lock nut
- (1) 0.5 GPM Rosette Flow Control
- (4) AA Alkaline batteries (*HB-7000E-LR Only*)

#### Dimensions:

- Base Depth . . . . . 2"
- Faucet Height (Aerator to Base) . . . . . 3"
- Faucet Height Overall . . . . . 7-1/2"
- Mounting Rod Length . . . . . 2"
- Mounting Rod Size . . . . . 1"

#### Optional Variations and Accessories

- 1.5 VR Soft Flow, 0.35, 2.2 GPM Laminar Flow Control
- 4" or 8" Centerset Cover Plate
- HC-001 Mixing/Checking Valve (Mechanical)
- HBL-04 Thermostatic Mixing Valve with Check

The information contained within this document subject to change without notice

5055 Forsyth Commerce Rd Ste 124, Orlando, FL 32807

Phone: 800.922.9883 | Fax: 866.670.5580 | hydrotekintl.com