



Sensor Faucets and Flush Valves

1000C Series

AC or Battery Powered Sensor Operated Faucet

The 1000C Series faucet is a 4-inch center-set, piston operated sensory faucet that provides a vandal resistant, no touch lavatory solution that promotes better hygiene and energy savings.

- **ADA Compliant.** Meets all barrier free codes
- Conserves water and energy
- Easily installed in new or retrofit applications
- Competitively priced for today's commercial market
- Promotes cleanliness & hygiene
- Proven Hydrotek craftsmanship and reliability

Features

- **ACCU-SENSE** adjustable sensor eyes.
- All solid brass construction.
- Wall mountable, waterproof control box with armored, vandal resistant control and power cables.
- Preset/adjustable sensor range of 6" - 30" for various installation requirements.
- Standard automatic time-out feature. Preset at 20 seconds, but adjustable to 10, 30, or 60 seconds. Prevents accidental sink overflow.
- Shut-off delay is adjustable from 1 (preset) to 8 seconds.
- Solid brass body with cast 4" center-set and 3 point anchoring system. Twist-free and tamper resistant. Adapts to 8" center-set.
- Includes in-line filter with clean-out trap to reduce maintenance costs.
- All parts are field-replaceable to ensure quick and easy repair.
- Same faucet-field switchable to AC or battery powered.
- AC with DC backup models automatically switch to batteries during a power outage
- Slow closing, piston-operated solenoid valve provides reliable and smooth operation without water hammer.
- Superior VSI silicone elastomer piston seals are unaffected by chlorine, chloramines, or ammonia.
- Standard 0.5 GPM Laminar flow control for water conservation and annual savings.
- Control module allows a unique self-check of all electrical components.



Compliances & Certifications



- ADA Compliant
- ASME A112.18.1
- NSF/ANSI Standard 372 - Lead Free Compliant

Available Models

- H-1000C-LR:** Lead Free, AC Powered
- HB-1000C-LR:** Lead Free, Battery Powered
- H-1000C-LRDC:** Lead Free, AC Powered with Battery Backup

Special Finishes

- Polished Brass (-PB)
- Brushed Nickel (-BN)
- Matte Black (-MB)
- Additional Finishes Upon Request



The information contained within this document subject to change without notice

5055 Forsyth Commerce Rd Ste 124, Orlando, FL 32807

Phone: 800.922.9883 | Fax: 866.670.5580 | hydrotekintl.com

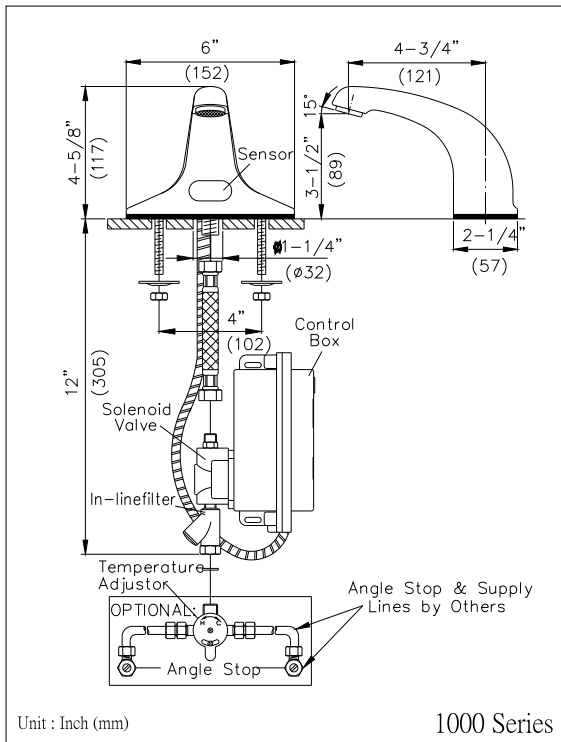


Sensor Faucets and Flush Valves

1000C Series

AC or Battery Powered Sensor Operated Faucet

Deck Mounted



Specifications:

Faucet Construction:

- Solid brass, chrome plated

Control Circuit:

- Solid state, AC or battery, switchable

Auto. Time-out:

- Preset at 20 seconds and adjustable to 10, 30, or 60 seconds

Line Purge (request only):

- 2 minute run every 12 hours or 24 hours

Scrub Mode Delay (request only):

- 60, 120, 180 seconds

Sensor Range:

- Preset and adjustable

Shut-off Delay:

- Presets and adjustable from 1-8 seconds

Control Cable:

- Armored, vandal resistant

Solenoid Valve:

- 6V DC, normally closed

- Wattage: 0.4W (idle), 5W (in use)

- Operating Pressure: 5 psi to 125 psi

- 0.5 GPM, vandal resistant

Flow Control:

AC Mode

Power Adapter

Standard Plug-in:

- Input AC 120V 60 Hz or 220V

(UL/CSA)

- Output DC 12V, 0.8A/Class 2

Power Cable:

- Armored, vandal resistant

Optional Multi-Unit Adapter:

- Serves up to 8 faucets

(UL/CSA)

- Input AC 120V, Output DC 12V, 3A

Battery Mode

Battery Powered Models:

- (4) AA Alkaline Batteries

Battery Service Life:

- 400,000 on/off cycles, up to 4 years

Package Includes:

(1) Faucet with electronic sensor

(1) Control box w/6V DC solenoid

(1) 12V DC plug-in power adaptor (H-1000C, -DC, -LR, and -LRDC only)

(1) In-line filter with clean-out trap

(1) Copper supply tube, 3/8"

(1) Mounting hardware

(1) 0.5 GPM vandal resistant flow control

(4) AA Alkaline batteries (HB-1000C, -LR; H-1000C-DC, -LRDC only)

(1) Battery holder (HB-1000C, -LR; H-1000C-DC, -LRDC only)

Dimensions:

Base Width (Outside Measurement)

6"

Base Depth

2-1/4"

Faucet Height (Aerator to Base)

3-1/2"

Faucet Height Overall

4-5/8"

Depth (Center of Aerator to Center of Faucet Base)

4-3/4"

Mounting Bolt Length

2-1/2"

Mounting Bolt Pattern

4" Centerset

Optional Variations and Accessories

- 1.6GPM VR Soft-Flow Aerator; 0.35, 1.5 & 2.2 GPM Laminar Flow
- 8" Centerset Cover Plate
- HC-010 Multi-Unit Voltage Adapter (AC Powered Only) - 8 units
- HC-0104 Multi-Unit Voltage Adapter (AC Powered Only) - 4 units
- HC-001 Mixing/Check Valve (Mechanical)
- HBL-04 Thermostatic Mixing Valve with Checks

The information contained within this document subject to change without notice

5055 Forsyth Commerce Rd Ste 124, Orlando, FL 32807

Phone: 800.922.9883 | Fax: 866.670.5580 | hydrotekintl.com