



Sensor Faucets and Flush Valves

HB8-128

1.28 GPF

Battery Powered Flush Valve (Closet)

Description

Battery powered, sensor operated, water conserving, closet flush valve for floor mounted or wall hung top spud bowls.

Flush Cycle

- 1.28 GPF
 - * Flush valves may not function with all bowls. Be sure to verify flow requirements with bowl manufacturer.
 - * Flow rate is field adjustable

Specifications

Exposed, Piston Operated, Chrome Plated, Closet Flush Valve with the following features:

- Standard Brass/Chrome Plated All Metal Construction
- Superior, Slow-Closing, Piston Flushing Mechanism
- Standard Manual –Mechanical Override Button
- Field Adjustable to Left or Right Rough-In
- Operating Pressures: 10-125 PSI
- Standard Self-Cleaning Filtering System
- Superior VSI Silicone Elastomer Piston Seals are Unaffected by Chlorine, Chloramines, and Ammonia
- ADA Compliant—Infrared Sensor Operated for “No Hands” operation
- Reliable, Latching Solenoid Valve
- Preset / Adjustable Sensor Distance
- Adjustable Tailpiece
- 1” I.P.S. Angle Stop Valve with Vandal Resistant Cap
- High Back Pressure Vacuum Breaker / Flush Tube Connection
- Spud Coupling and Flange for 1 1/2” Top Spud
- Sweat Solder Adapter with Cover Tube and Wall Flange
- High Copper, Low Zinc Brass Casting for Dezincification Resistance
- 36-hour Sentinel Flush
- (4) AA Alkaline Batteries—Furnished

Electrical Specifications

- Battery: (4) AA Alkaline Batteries
- Solenoid Valve and Sensor, 6V DC
- Battery Service Life: 400,000 flushes, up to 4 years



Compliances & Certifications



- ADA Compliant
- ASSE 1037/ASME A112.1037/CSA B125.37-2015
- IPC, IRC, and UPC Compliant
- WaterSense Listed - WaterSense compliant when used with a 1.28 GPF WaterSense Fixture

Special Finishes

- Brushed Nickel (HB8CBN-128)
- Polished Brass (HB8CPB-128)
- Matte Black (HB8CMB-128)
- Additional finishes available upon request



The information contained within this document subject to change without notice

5055 Forsyth Commerce Rd Ste 124, Orlando, FL 32807

Phone: 800.922.9883 | Fax: 866.670.5580 | hydrotekintl.com



Sensor Faucets and Flush Valves

HB8-128

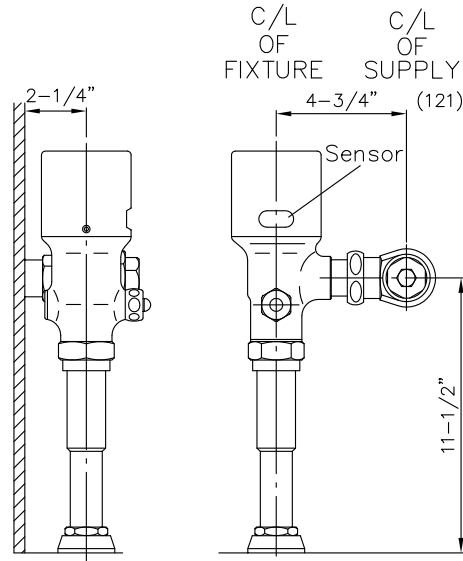
1.28 GPF

Battery Powered Flush Valve (Closet)

Rough-in Dimensions

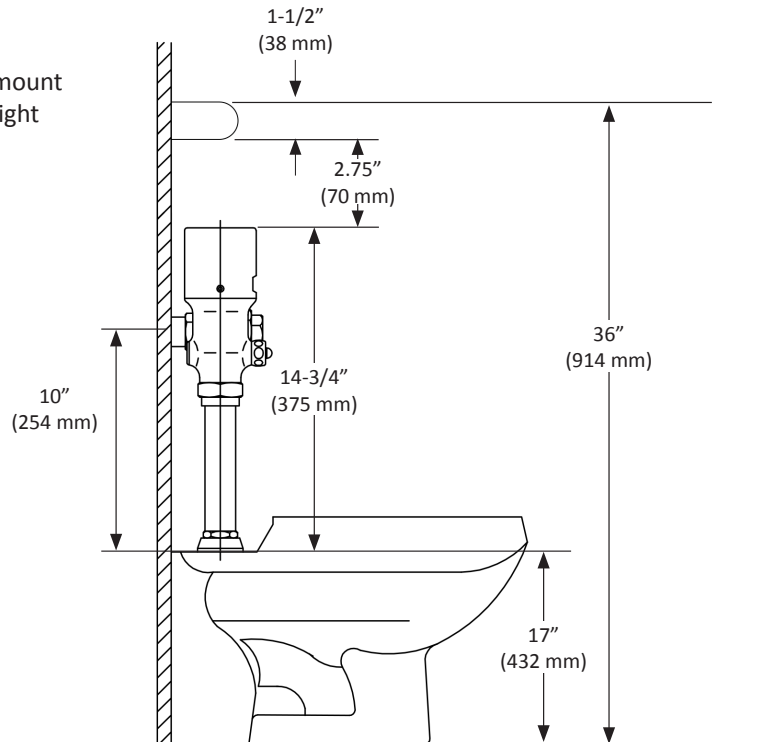
When Installing in a Handicap Stall:

Per the ADA Guidelines (section 604.9.4) it is recommended that the grab bars be split or shifted to the wide side of the stall. If grab bars must be present over the valve, use the alternate ADA installation as shown.



Alternate ADA Installation

Lower water supply rough-in to 10" (254 mm) and mount grab bar at the 36" (914 mm) maximum allowed height



5055 Forsyth Commerce Rd Ste 124, Orlando, FL 32807

Phone: 800.922.9883 | Fax: 866.670.5580 | hydrotekintl.com