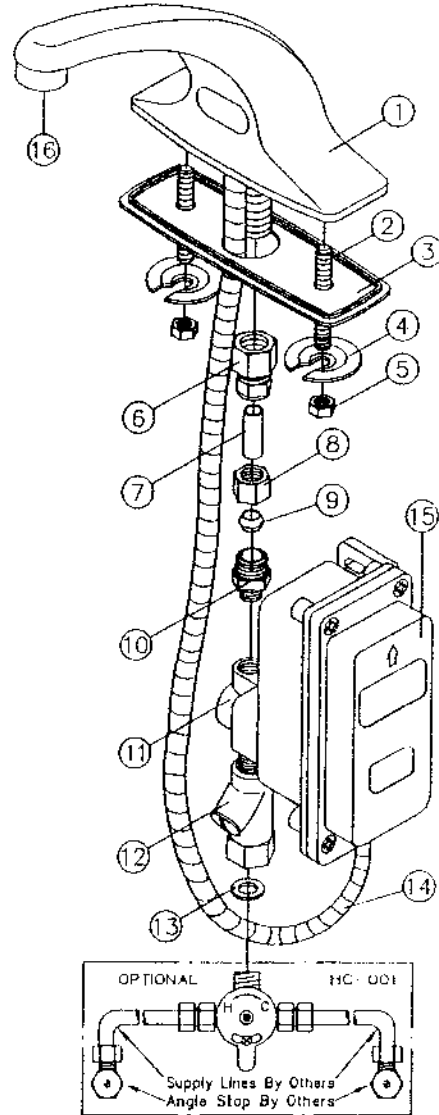


INSTALLATION INSTRUCTIONS

Hydrotek Non-Mixing Automatic Faucet (Battery Powered)

Model HB-1000C

1. Prior to installing this faucet, thoroughly flush all water lines and replace stop washers, if necessary.
2. To ensure proper operation, " DRY TEST " the faucet by plugging (14) Sensor eye cable connector into the matching connector on the PC board inside the (15) Control box. Properly install batteries in Battery holder and plug the Battery holder output connector into the corresponding connector on PC board inside the (15) Control Box. Place your hand in front of the faucet sensor eye. If there is a clicking sound, the faucet is activating properly. If not, call the factory.
3. After successful " DRY TEST," unplug Sensor eye cable and Battery holder connectors from the PC board.
4. Attach (6) Compression adapter, (7) Supply tube, and (2) Mounting bolts to (1) Faucet body inlet.
5. Install (3) Gasket on faucet and set unit on sink. Apply plumbers putty to the bottom of the gasket. Secure the faucet unit to the sink using (4) Slotted washers and (5) Mounting nuts.
6. Connect electrical Sensor eye cable as described in STEP #2, making sure that the Sensor eye cable is seated into the Control box housing properly.
7. Attach (11) Solenoid valve outlet to (7) Supply tube, using (8) Compression nut, (9) Compression ferrule, and (10) Compression fitting. Insert (13) Nylon washer into swivel nut located on (12) In-line filter inlet (**for pre-tempered or cold water only**). Using a union fitting (not supplied), connect supply line (not supplied) from supply stop to (12) In-line filter inlet swivel nut (**for tempered water**).
 >>Attach optional Hydrotek HC-001 Mixing/Check Valve or HC-003 Mixing "T" w/ checks to In-line filter inlet. Connect supply lines (not supplied) from hot and cold supply stops to Mixing valve or Mixing "T" inlets. **Use Teflon Tape, not Pipe Dope for all connections.**
8. Turn on water and check for leaks. Connect Battery holder to PC board. Reinstall Control box cover and tighten screws to ensure that box is water resistant. Place hands in front of Sensor eye to activate water flow. Remove hands and water should stop. If not, refer to the troubleshooting guide.
9. Periodically clean the filter element located inside the In-line filter.
10. For minor adjustments, refer to the instructions located inside the Control box cover.



Part Number Descriptions	
1. Faucet body	9. Compression ferrule
2. Mounting bolt	10. Compression fitting
3. Gasket	11. Solenoid valve
4. Slotted washer	12. In-line filter
5. Mounting Nut	13. Nylon washer
6. Compression Adapt.	14. Sensor eye cable
7. Supply tube	15. Control box
8. Compression nut	16. Aerator

HYDROTEK INTERNATIONAL, INC.
 5055 Forsyth Commerce Rd. , Ste. 124
 Orlando, FL 32807
 1.800.922.9883 (Phone)
 1.866.670.5580 (Fax)
www.hydrotekintl.com