

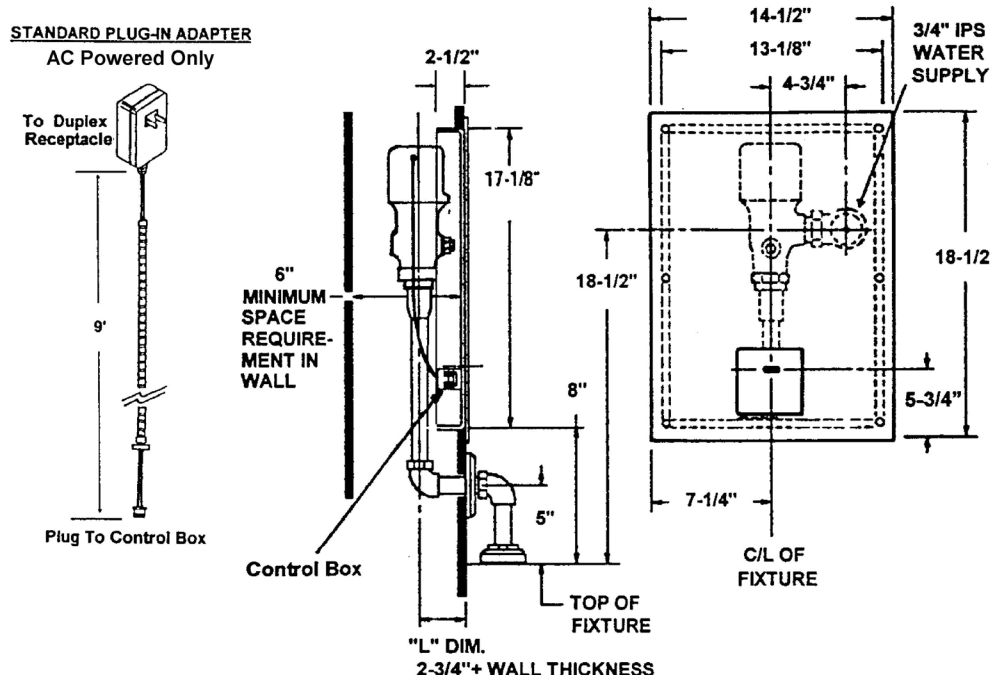


ISO 9001 Certified

H8-D1T-05/HB8-D1T-05

0.5 GPF

Concealed Urinal / 3/4" Top Spud



Description

Sensor operated, water conserving, concealed water closet flush valve for floor mounted or wall hung fixture (top spud).

- H8-D1T-05 (AC Powered)
- HB8-D1T-05 (Battery Powered)

Flush Cycle

- 0.5 GPF
- Field adjustable for water conservation

General Specifications

Slow-closing, non-diaphragm, piston operated urinal flush valve in a rough brass finish with the following features:

- Self-cleaning filtering system
- Piston seals are unaffected by chlorine, chloramines, and ammonia
- Override push button
- 3/4" I.P.S. angle stop valve
- Stainless steel 7" X 7" wall plate with vandal resistant screws (for 4 1/16" sq. electrical box, provided by others)
- Self-diagnostic electronics system with manual reset
- Superior piston flushing mechanism
- Operating pressures: 10-125 PSI
- 36 hour sentinel flush
- 3 second arming delay
- Adjustable tailpiece
- Vacuum breaker / flush tube and spud coupling for 3/4" concealed top spud
- Sweat solder kit
- Standard with electronic and true mechanical override

Electrical Specifications

- Control Circuit:
 - Solid State
 - Input: 12 VDC (AC), 6 VDC (Battery)
 - Output: 6 VDC
 - 3 second arming delay
 - 36 hour sentinel flush
- Sensor Range: Up to 36"
- Solenoid:
 - 6V DC 50/60 Hz
 - Latching type
 - Slow closing
 - Piston operated
- Power Source (H8-D1T-05 only):
 - Plug-In Adapter (standard)
 - Input: 120V AC, 60 Hz, 25 W
 - Output: 12V DC, 800 mA
 - Class II, UL Listed
 - HC-010 / HC-0104 Multi-Unit Adapter (optional)
 - Input: 120V AC, 60 Hz, 60 W
 - Output: 12V DC 3A
 - Class II, UL Listed
 - Powers up to (4) flush valves (HC-0104) or (8) flush valves (HC-010)
- Batteries (HB8-D1T-05 only):
 - (4) AA Alkaline with Battery Holder

HYDROTEK INTERNATIONAL, INC.

5055 Forsyth Commerce Rd., Ste 124

Orlando, FL 32807

800.922.9883 (Phone)

866.670.5580 (Fax)

www.hydrotekintl.com

