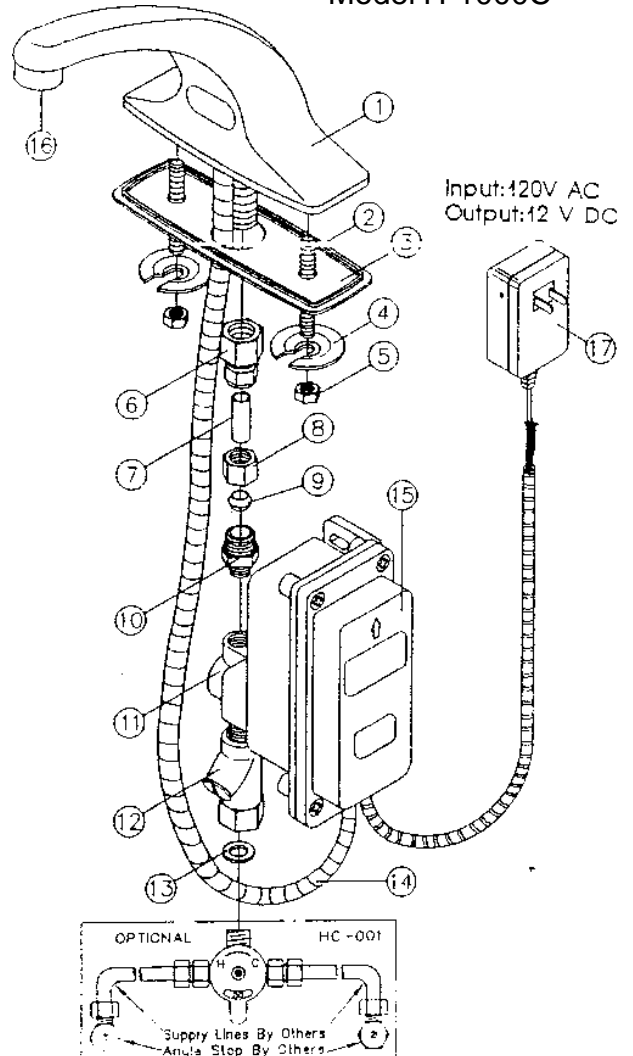


INSTALLATION INSTRUCTIONS

Hydrotek Non-Mixing Automatic Faucet (AC Powered)

Model H-1000C

1. Prior to installing this faucet, thoroughly flush all water lines and replace stop washers, if necessary.
2. To ensure proper operation, " DRY TEST " the faucet by plugging (14) Sensor eye cable connector into the matching connector on the PC board inside the (15) Control box. Plug (17) Power adapter output connector into matching connector on PC board located inside the (15) Control box. Plug (17) Power adapter into 120 V AC outlet. Place your hand in front of faucet sensor eye. If there is a clicking sound, the faucet is activating properly. If not, call the factory.
3. After successful "DRY TEST," unplug connectors from both the Sensor eye cable and Power adapter to the PC board.
4. Attach (6) Compression adapter, (7) Supply tube, and (2) Mounting bolts to (1) Faucet body inlet.
5. Install (3) Gasket on faucet and set unit on sink. Apply plumbers putty to bottom of gasket. Secure the faucet unit to the sink using (4) Slotted washers and (5) Mounting nuts.
6. Connect electrical Sensor eye cable and Power adapter as described in STEP #2, making sure that the Sensor eye and Power adapter cables are seated into the Control box housing properly. Reinstall Control box cover and tighten screws to insure that the box is water-resistant. Coil excess Power Adapter wire and secure in a safe, dry area.
7. Attach (11) Solenoid valve outlet to (7) Supply tube using (8) Compression nut, (9) Compression ferrule, and (10) Compression fitting. Insert (13) Nylon washer into swivel nut located on (12) In-line filter inlet (**for pre-tempered or cold water only**). Using a union fitting (not supplied), connect supply line (not supplied) from supply stop to (12) In-line filter inlet swivel nut (**for tempered water**).
 >>Attach optional Hydrotek HC-001 Mixing/Check Valve or HC-003 Mixing "T" w/checks to In-line filter inlet. Connect supply lines (not supplied) from hot and cold supply stops to Mixing valve or Mixing "T" inlets.
Use Teflon Tape, not Pipe Dope for all connections.
8. Turn on water and check for leaks. Plug (17) Power adapter into 120V AC outlet. Place hand in front of Sensor eye to activate water flow. Remove hands and water should stop. If not, refer to troubleshooting guide.
9. Periodically clean the filter element located inside the In-line filter.
10. For minor adjustments, refer to the instructions located inside the Control box cover.



Part Number Descriptions	
1. Faucet body	10. Compression fitting
2. Mounting bolt	11. Solenoid valve
3. Gasket	12. In-line filter
4. Slotted washer	13. Nylon washer
5. Mounting nut	14. Sensor eye cable
6. Compression adapt.	15. Control box
7. Supply tube	16. Aerator
8. Compression nut	17. Power adapter
9. Compression ferrule	

HYDROTEK INTERNATIONAL, INC.
 5055 Forsyth Commerce Rd. , Ste. 124
 Orlando, FL 32807
 1.800.922.9883 (Phone)
 1.866.670.5580 (Fax)
 www.hydrotekintl.com