



Sensor Faucets and Flush Valves



OPERATION & MAINTENANCE MANUAL
7000E Series Faucet

www.hydrotekintl.com

5055 Forsyth Commerce Rd, Ste 124, Orlando, FL 32807
Phone (800) 922-9883 | Fax (866) 670-5580



Sensor Faucets and Flush Valves

7000E Series

U.S. Patent 6192530B1

AC or Battery Powered Sensor Operated Faucet

The 7000E Series faucet is a piston operated sensory faucet that provides a vandal resistant, no touch lavatory solution that promotes better hygiene and energy savings.

- **ADA Compliant.** Meets all barrier free codes
- Conserves water and energy
- Easily installed in new or retrofit applications
- Competitively priced for today's commercial market
- Promotes cleanliness & hygiene
- Proven Hydrotek craftsmanship and reliability

Available in:

- ✓ Low Lead, AC Powered (H-7000E-LR)
- ✓ Low Lead, Battery Powered (HB-7000E-LR)



Features:

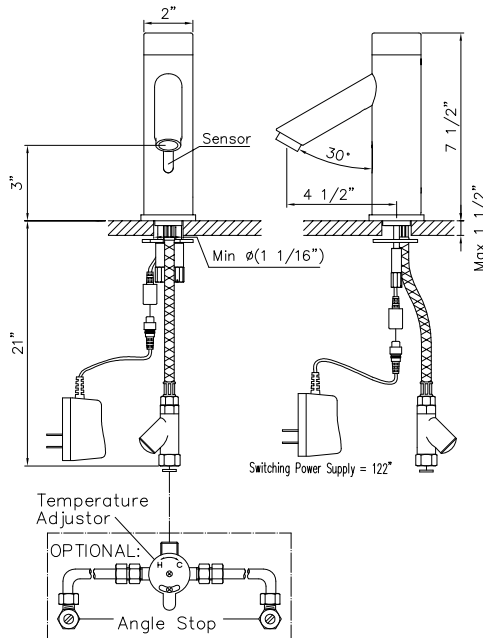
- Vandal-resistant faucet body with chrome plated, solid brass construction.
- Faucet design allows quick "above the deck" access to all major faucet component parts.
- 30 second time-out feature prevents accidental sink overflow.
- Low battery indicator light (battery powered models only).
- Standard 0.5 GPM flow control for water conservation and annual savings.
- Single-hole deck mounting with optional 4" and 8" cover plate for vandal resistant, three point anchoring.
- Patented electronics and slow closing solenoid valves provide reliable and smooth operation without water hammer.
- Preset/adjustable sensor range of 6" - 8" for various installation requirements.
- Includes in-line filter adapter for easier cleaning.
- Superior VSI silicone elastomer piston seals are unaffected by chlorine, chloramines, or ammonia.

Hydrotek Automatic Faucets

7000E Series

Deck Mounted / Non-Mixing
Meets ANSI/ASME A112.18.1 M-1989

H-7000E (AC Powered)



Operation:

1. A continuous, invisible beam is emitted from the sensor.
2. The faucet is activated by placing hands under the spout within the effective range of the beam. Water starts to flow immediately for as long as the user's hands remain in the sensor range.
3. When hands are removed, the water flow stops. The sensor will automatically reset and be ready for the next user.

Specifications:

Faucet Construction: Solid brass, chrome plated

Control Circuit:

Auto. Time-out: 30 seconds

Sensor Range: Preset and adjustable from 6"-8"

Shut-off Delay: 1 second

Solenoid Valve: 6V DC, normally closed

Wattage: 0.2W (idle), 3W (in use)

Operating Pressure: 5 psi to 125 psi

Flow Control: 0.5 GPM, Rosette, Vandal Resistant

AC Mode

Power Adapter (UL/CSA)

Standard Plug-in: Input AC 120V 60 Hz or 220V
Output DC 7.5V, 0.8A/Class 2

Power Cable: Armored, vandal resistant

Optional Multi-Unit Adapter: . . Serves up to 10 faucets
(UL/CSA) Input AC 120V, Output DC 7.5V, 3A

Battery Mode

Battery Powered Models: (4) AA Alkaline Batteries

Battery Service Life: 400,000 on/off cycles, up to 4 years

Warranty: 3 years

Package Includes:

- (1) Faucet with sensor/solenoid
- (1) 7.5V DC plug-in power adaptor (*H-7000E, -LR Only*)
- (1) Armored S.S. supply tube with filter
- (1) Mounting rubber, washer, lock nut
- (1) 0.5 GPM Rosette Flow Control
- (4) AA Alkaline batteries (*HB-7000E, -LR Only*)

Dimensions:

Base Depth2"

Faucet Height (Aerator to Base)3"

Faucet Height Overall7-1/2"

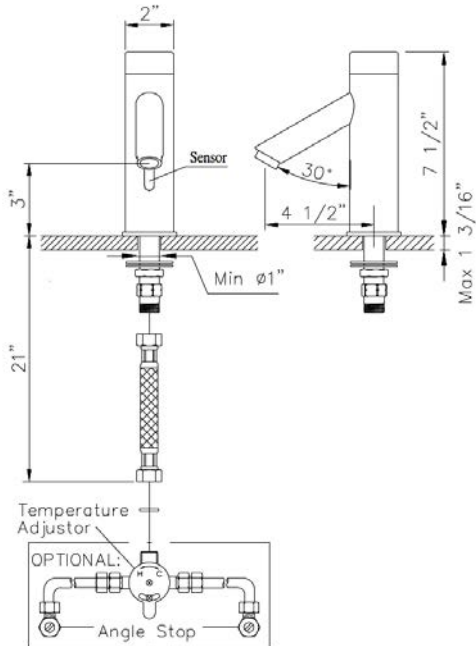
Mounting Rod Length2"

Mounting Rod Size1"

Optional Variations and Accessories

- 1.5 VR Soft Flow, 0.35, 2.2 GPM Laminar Flow Control
- 4" or 8" Center Set Cover Plate
- HC-001 Mixing/Checking Valve (Mechanical)
- HBL-04 Thermostatic Mixing Valve with Check

HB-7000E (Battery Powered)



HYDROTEK INTERNATIONAL, INC.

5055 Forsyth Commerce Rd., Ste 124

Orlando, FL 32807

800.922.9883 (Phone)

866.670.5580 (Fax)

www.hydrotekintl.com



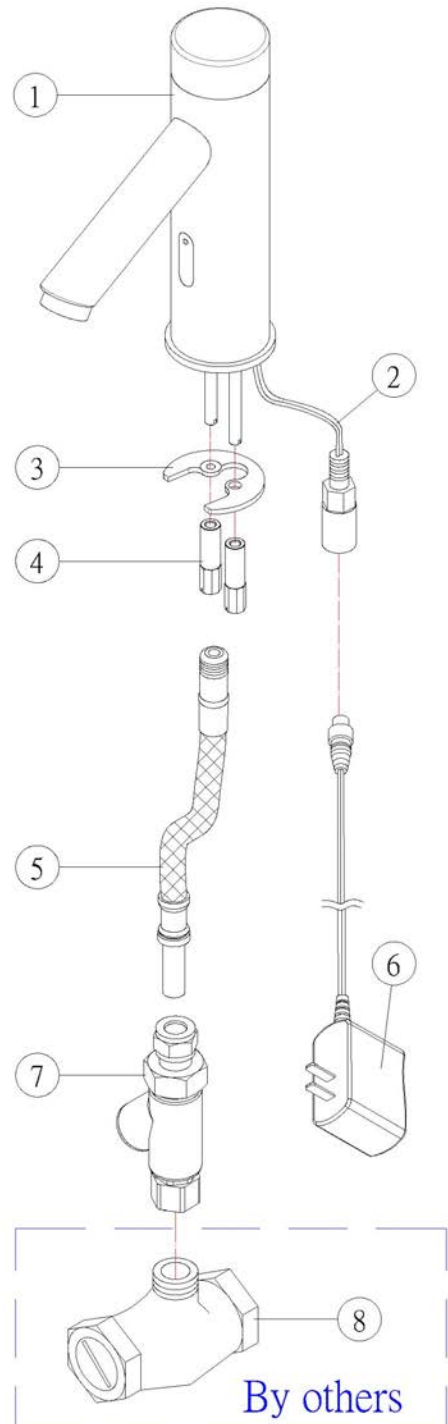
H-7000E

AC Powered Sensor Operated Mixing Faucet

Installation Instructions

Installation Instructions:

1. Attach the plug-in adapter(6) to the AC connector(2) and plug the plug-in adapter into a powered outlet. Place hand in front of spout, it should click. If not, check the connection between the AC connector and plug-in adapter.
2. Connect the supply tube(5) to the faucet by turning the threaded ends into the bottom of the body(1). Teflon tape is **NOT REQUIRED**. **DO NOT USE PIPE DOPE.**
3. Remove the washer(3) and lock nuts(4) and slide the faucet supply rods through the deck hole. If there are 3 holes, use the cover plate(4"or 8") from Hydrotek, call 800-922-9883. Tighten faucet to deck using washer(3) and lock nuts(4).
4. Connect in-line filter(7) to the supply tube and the in-line filters to the stop valves(8). A 3/8" union connector (**provided by others**) is required to connect the inline filters to the stop valves.
5. Turn on water from the stop valve and check for leaks.
6. Place hand in front of the sensor eyes, water should start to flow. Remove hands, water stops.
7. **IMPORTANT:** The control stop valve should never be opened to the point where the flow from valve exceeds the flow capability of the sink fixture. In the event of a valve failure, the sink fixture must be able to accommodate a continuous flow from the valve.
8. **IMPORTANT:** This product contains mechanical components that are subject to normal wear. Periodical maintenance is required in order to maintain the faucet performance.
9. **DO NOT USE** abrasives, acids or cleaning fluids to clean Hydrotek Sensor faucet. Use only soap and water then wipe with clean cloth or towel.



Parts:

- | | |
|-----------------|------------------------------------|
| 1. Body | 5. Supply Tube |
| 2. AC Connector | 6. Plug-in Adapter |
| 3. Washer | 7. In-Line Filter |
| 4. Lock Nut (2) | 8. Stop Valve (provided by others) |

HYDROTEK INTERNATIONAL, INC.
5055 Forsyth Commerce Rd., Ste 124
Orlando, FL 32807
800.922.9883 (Phone)
866.670.5580 (Fax)
www.hydrotekintl.com

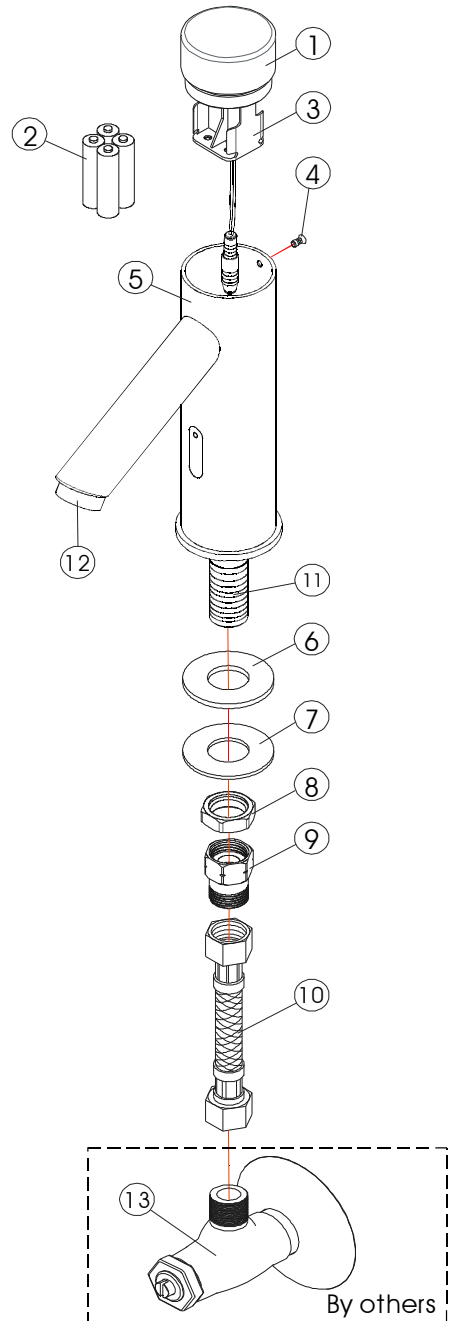


HB-7000E

DC Powered Sensor Operated Mixing Faucet Installation Instructions

Installation Instructions:

1. Using the wrench supplied, remove the Set Screw(4) and carefully pull up on the Top Cap(1).
2. Insert Batteries(2) into the Battery Holder(3). Gently insert the battery holder assembly into the Top Cap(1). Slowly push wire connector and the top cap including the battery holder down into the Body(5). Be gentle in order to avoid crimping the wire.
3. Attach the Set Screw(4) on the back of the faucet. Place a hand in front of the spout, it should click. If not, check the battery contacts and wires.
4. Remove the Rubber Gasket(6), Washer(7), and Lock Nut(8) and slide the faucet Supply Rod(11) through the deck hole. Secure the faucet to the deck from the underside with the Rubber Gasket(6), Washer(7), and Lock Nut(8).
5. Install the Adapter with Filter(9) to the end of the Supply Rod(11). Connect the Supply Rod(11) and Stop Valve(13) using the Supply Tube(10).
6. Turn on the water from the Stop Valve(13) and check for leaks.
7. Place a hand in front of the sensor. Water should start to flow. Remove your hand and the water should stop.
8. **IMPORTANT:** The control stop valve should never be opened to the point where the flow from the valve exceeds the flow capability of the sink fixture. In the event of a valve failure, the sink fixture must be able to accommodate the continuous flow from the valve.
9. **IMPORTANT:** This products contains mechanical components that are subject to normal wear. Periodic maintenance is required in order to main faucet performance.
10. **NOTE:** Use only soap and water to clean the faucet. Abrasives, acids, or other cleaning fluids can damage the finish of the faucet.



Parts:

- | | |
|-------------------|-------------------------------------|
| 1. Top Cap | 8. Lock Nut |
| 2. AA Batteries | 9. Adapter with Filter |
| 3. Battery Holder | 10. Supply Tube |
| 4. Set Screw | 11. Supply Rod |
| 5. Body | 12. Aerator |
| 6. Rubber Gasket | 13. Stop Valve (provided by others) |
| 7. Washer | |

HYDROTEK INTERNATIONAL, INC.
5055 Forsyth Commerce Rd., Ste 124
Orlando, FL 32807
800.922.9883 (Phone)
866.670.5580 (Fax)
www.hydrotekintl.com



7000E Series

Sensor Operated Mixing Faucet Troubleshooting Guide

Normal Operation: When power is connected, the faucet will immediately perform diagnostic function. You will hear a clicking sound and see lights flash. When the user's hands are placed under the spout, the light will flash once and water will start to flow. Water flow will stop when hands are removed. The red indicator light will flash when the batteries are low.

Turn the manual handle clockwise to increase temperature and counter-clockwise to decrease.

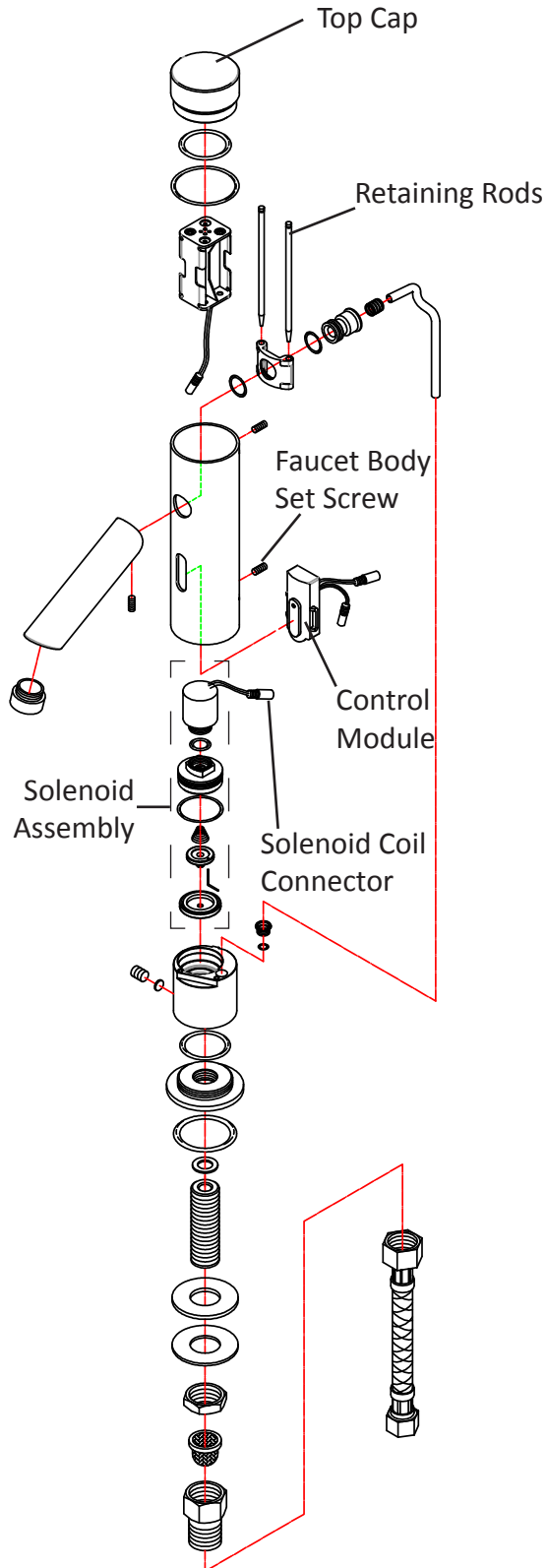
Problem	Possible Cause	To Diagnose	Remedy
Faucet will not turn on:	Water not turned on	Check water supply	Turn water on
	Power supply failure	No light, no clicking: <ul style="list-style-type: none"> • Check batteries • Check power adapter 	Reinstall or replace batteries/ Replace power adapter
	Low battery	Light continues to flash	Replace batteries
	Electronic PCB / Sensor is defective	No light, no clicking: <ul style="list-style-type: none"> • Reinsert batteries • Reattach power adapter 	Replace electronic PCB
	Solenoid valve is clogged	Solenoid is clicking but no water is coming out	Clean solenoid
	In-line filter is clogged	Open clean-out trap and check filter screen	Clean or replace filter screen
	Solenoid coil is defective	Insert new batteries or reattach power adapter. Light blinks but no solenoid is clicking	Replace solenoid coil
	Flow control is clogged	Open flow control device and check	Celan the flow control device
Faucet will not shut off, has low glow, or drips:	The solenoid valve is normally closed. Turn off water and activate the faucet. If there is a clicking sound, the solenoid valve is dirty. If there is no clicking sound, then check the solenoid valve. If the faucet is dripping, clean the solenoid valve.		

IMPORTANT: Periodic maintenance is required for smooth and trouble-free operation of this faucet.

For service and inquiry about available repair kits, please call Hydrotek Technical Support at (800) 922-9883.

7000E Series

Sensor Operated Mixing Faucet Maintenance Tasks



PRESSURE RELEASE VALVE REPLACEMENT

1. Remove faucet **Top Cap**.
2. Remove batteries (battery powered faucets) or unplug power adapter (AC powered faucets).
3. Unscrew the **Faucet Body Set Screw** and with an upward motion, pull the the faucet body off of the faucet base.
4. Disconnect the **Solenoid Coil connector**.
5. Unscrew the **Solenoid Assembly** and remove it from the faucet base.
6. Install the new **Solenoid Assembly** and reassemble the faucet in reverse order.

CONTROL MODULE (P.C. BOARD) REPLACEMENT

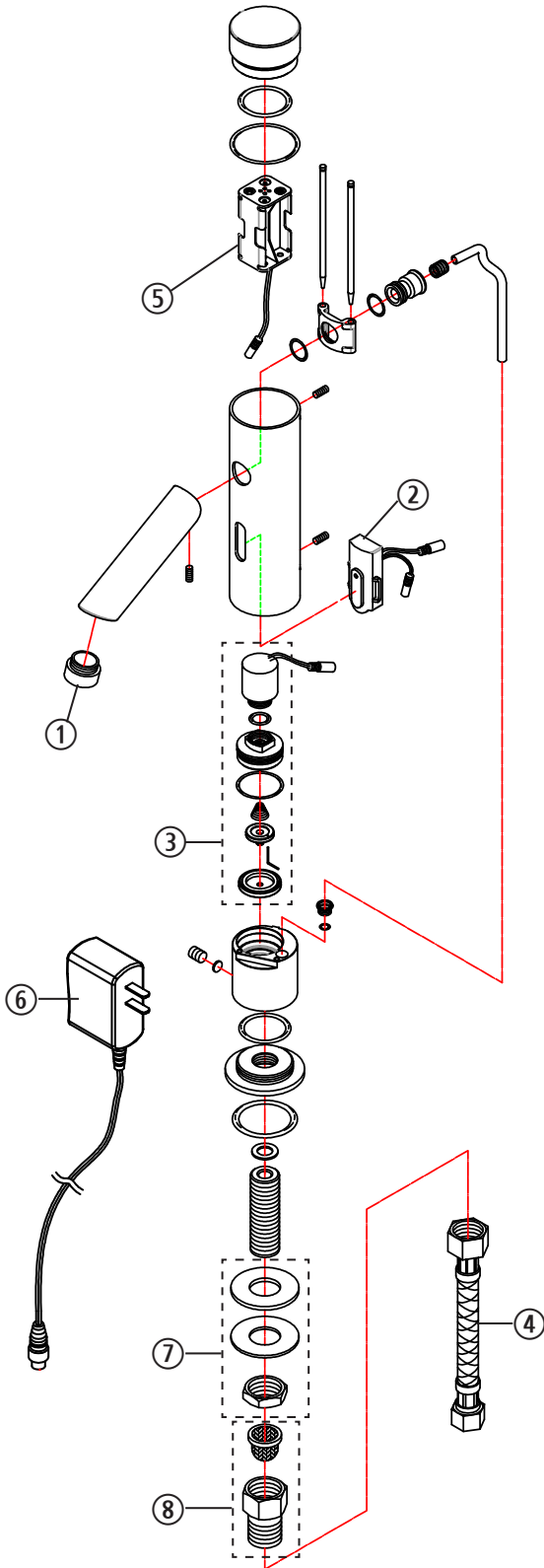
1. Remove faucet **Top Cap**.
2. Remove batteries (battery powered faucets) or unplug power adapter (AC powered faucets).
3. Unscrew the **Faucet Body Set Screw** and with an upward motion, pull the faucet body off of the faucet base.
4. Disconnect the **Solenoid Coil** connector.
5. Pull the **Retaining Rods** up and out through the top of the faucet body.
6. Remove the **Control Module**.
7. Install the new **Control Module** and reassemble the faucet in reverse order.

For further questions, please call Hydrotek Technical Support at (800) 922-9883.

7000E Series

Sensor Operated Mixing Faucet

Assembly Parts



No	Description	Part Number
1	Laminar Flow Control - 0.5 GPM - Male - Vandal Resistant	HB-003AMVR
2	Control Module & Sensor (A for AC, B for DC Powered)	HCE-007A (AC) HCE-007B (DC)
3	Solenoid Assembly	HCE-020
4	Flexible Supply Tube	HB7-027
5	Battery Holder (DC Powered Only)	HCC-103B
6	Plug-In Adapter (AC Powered Only)	HCE-008
7	Mounting Kit	HC-015D
8	In-Line Filter	HC-009A

Please visit our website, www.hydrotekintl.com, for our most current Products Pricing Sheet.