



Sensor Faucets and Flush Valves

7000SLE Series

U.S. Patent 6192530B1

Solar Powered Sensor Operated Faucet

The 7000SLE Series faucet is a piston operated solar sensory faucet that provides a vandal resistant, no touch lavatory solution that promotes better hygiene and energy savings.

The faucet uses ambient light to function and utilizes a battery back-up.

- **ADA Compliant.** Meets all barrier free codes
- Conserves water and energy
- Easily installed in new or retrofit applications
- Competitively priced for today's commercial market
- Promotes cleanliness & hygiene
- Proven Hydrotek craftsmanship and reliability
- Extended battery life

Available in:

- ✓ Lead Free, Solar Powered (HB-7000SLE-LR)



Features:

- Vandal-resistant faucet body with chrome plated, solid brass construction.
- Faucet design allows quick "above the deck" access to all major faucet component parts.
- Powered by 6V DC solar energy module with battery back-up.
- 30 second time-out feature prevents accidental sink overflow.
- Low battery indicator light.
- Extended battery life.
- Standard 0.5 GPM flow control for water conservation and annual savings.
- Single-hole deck mounting with optional 4" and 8" cover plate for vandal resistant, three point anchoring.
- Patented electronics and slow closing solenoid valves provide reliable and smooth operation without water hammer.
- Preset/adjustable sensor range of 6" - 8" for various installation requirements.
- Includes in-line filter adapter for easier cleaning.
- Superior VSI silicone elastomer piston seals are unaffected by chlorine, chloramines, or ammonia.

Hydrotek Automatic Faucets

7000SLE Series

Deck Mounted / Mixing

Meets ANSI/ASME A112.18.1 M-1989

Operation:

1. A continuous, invisible beam is emitted from the sensor.
2. The faucet is activated by placing hands under the spout within the effective range of the beam. Water starts to flow immediately for as long as the user's hands remain in the sensor range.
3. When hands are removed, the water flow stops. The sensor will automatically reset and be ready for the next user.

Specifications:

Faucet Construction: Solid brass, chrome plated

Control Circuit:

Auto. Time-out: 30 seconds

Sensor Range: Preset and adjustable from 6"-8"

Shut-off Delay: 1 second

Solenoid Valve: 6V DC, normally closed

Wattage: 0.2W (idle), 3W (in use)

Operating Pressure: 5 psi to 125 psi

Flow Control: 0.5 GPM, Rosette, Vandal Resistant

Battery Mode

Battery Powered Models: (4) AA Alkaline Batteries

Battery Service Life: 650,000 on/off cycles, up to 6 years

Warranty: 3 years

Package Includes:

- (1) Faucet with sensor/solenoid
- (1) Armored S.S. supply tube with filter
- (1) Mounting rubber, washer, lock nut
- (1) 0.5 GPM Rosette Flow Control
- (4) AA Alkaline batteries

Dimensions:

Base Depth 2"

Faucet Height (Aerator to Base) 3"

Faucet Height Overall 7-1/2"

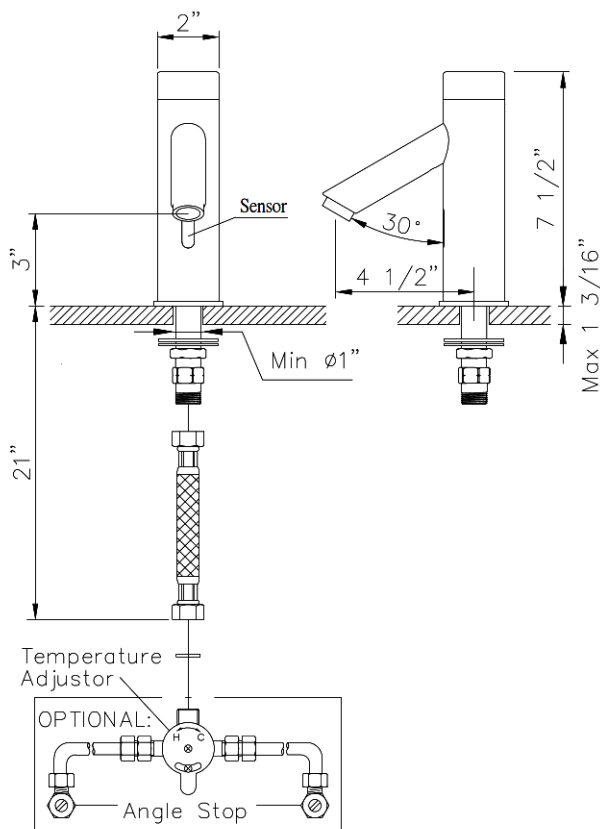
Mounting Rod Length 2"

Mounting Rod Size 1"

Optional Variations and Accessories

- 1.5 VR Soft Flow, 0.35, 2.2 GPM Laminar Flow Control
- 4" or 8" Centerset Cover Plate
- HC-001 Mixing/Check Valve (Mechanical)
- HBL-04 Thermostatic Mixing Valve with Check

HB-7000SLE (Solar Powered)



HYDROTEK INTERNATIONAL, INC.

5055 Forsyth Commerce Rd., Ste 124

Orlando, FL 32807

800.922.9883 (Phone)

866.670.5580 (Fax)

www.hydrotekintl.com

