



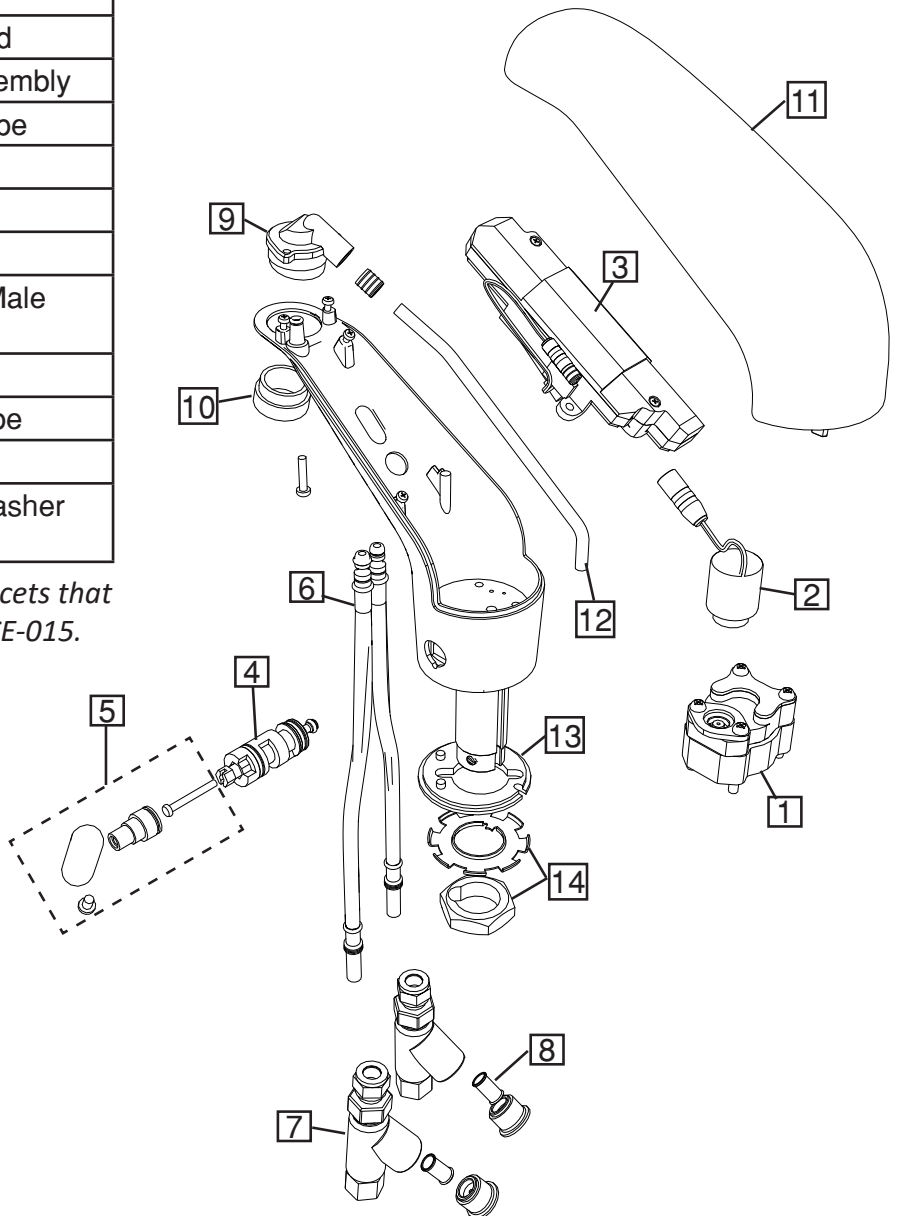
Sensor Faucets and Flush Valves

5000EM Series

Parts Breakdown

No	Part Number	Description
1	HCE-004	Solenoid Module
2	HCE-019	Solenoid Coil
3	HCE-018A/B	Control Module A=AC, B=Battery
4	HCE-028	Temp. Adjuster Rod
5	HCE-029	Temp. Handle Assembly
6	HCE-026*	Flexible Supply Tube
7	HCE-009A	In-Line Filter
8	HCE-020	Filter Screen
9	HCE-006	Aerator Connector
10	HB-003AMVR	Aerator 0.5 GPM Male Vandal Resistant
11	HCE-014	Top Cover
12	HCE-016	Copper Supply Tube
13	HCE-022	Rubber Gasket
14	HCE-021	Mounting Nut & Washer Assembly

\*For faucets purchased before 2008 or faucets that use two o-rings on the supply tube, use HCE-015.



**HYDROTEK INTERNATIONAL, INC.**  
 5055 Forsyth Commerce Rd., Ste 124  
 Orlando, FL 32807  
 800.922.9883 (Phone)  
 866.670.5580 (Fax)  
[www.hydrotekintl.com](http://www.hydrotekintl.com)

