



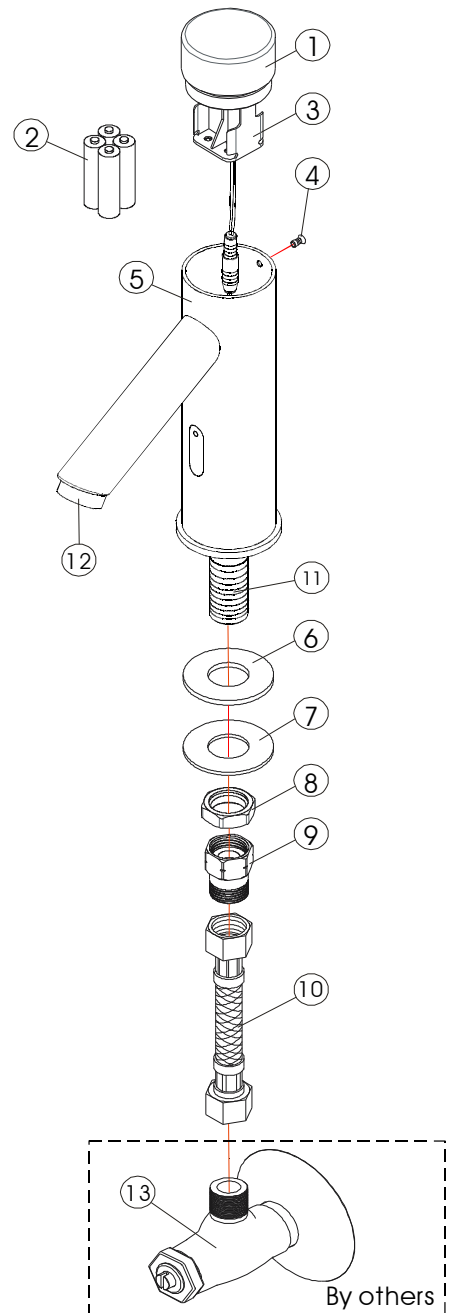
Sensor Faucets and Flush Valves

HB-7000E

AC Powered Sensor Operated Faucet
Installation Instructions

Installation Instructions:

- Using the wrench supplied, remove the Set Screw(4) and carefully pull up on the Top Cap(1).
- Insert Batteries(2) into the Battery Holder(3). Gently insert the battery holder assembly into the Top Cap(1). Slowly push wire connector and the top cap including the battery holder down into the Body(5). Be gentle in order to avoid crimping the wire.
- Attach the Set Screw(4) on the back of the faucet. Place a hand in front of the spout, it should click. If not, check the battery contacts and wires.
- Remove the Rubber Gasket(6), Washer(7), and Lock Nut(8) and slide the faucet Supply Rod(11) through the deck hole. Secure the faucet to the deck from the underside with the Rubber Gasket(6), Washer(7), and Lock Nut(8).
- Install the Adapter with Filter(9) to the end of the Supply Rod(11). Connect the Supply Rod(11) and Stop Valve(13) using the Supply Tube(10).
- Turn on the water from the Stop Valve(13) and check for leaks.
- Place a hand in front of the sensor. Water should start to flow. Remove your hand and the water should stop.
- IMPORTANT:** The control stop valve should never be opened to the point where the flow from the valve exceeds the flow capability of the sink fixture. In the event of a valve failure, the sink fixture must be able to accommodate the continuous flow from the valve.
- IMPORTANT:** This products contains mechanical components that are subject to normal wear. Periodic maintenance is required in order to main faucet performance.
- NOTE:** Use only soap and water to clean the faucet. Abrasives, acids, or other cleaning fluids can damage the finish of the faucet.



Parts:

- | | |
|-------------------|-------------------------------------|
| 1. Top Cap | 8. Lock Nut |
| 2. AA Batteries | 9. Adapter with Filter |
| 3. Battery Holder | 10. Supply Tube |
| 4. Set Screw | 11. Supply Rod |
| 5. Body | 12. Aerator |
| 6. Rubber Gasket | 13. Stop Valve (provided by others) |
| 7. Washer | |

HYDROTEK INTERNATIONAL, INC.
 5055 Forsyth Commerce Rd., Ste 124
 Orlando, FL 32807
 800.922.9883 (Phone)
 866.670.5580 (Fax)
www.hydrotekintl.com

