



## Sensor Faucets and Flush Valves

# 4000C-SD-LR Series

U.S. Patent 6192530B1, 4741363

## AC or Battery Powered Sensor Operated Faucet

The 4000-C-SD-LR Series faucet is a single-hole deck mounted, piston operated sensory faucet that provides a vandal resistant, no touch lavatory solution with hot/cold mixing and manual on/off that promotes better hygiene and energy savings.

- **ADA Compliant.** Meets all barrier free codes
- Conserves water and energy
- Easily installed in new or retrofit applications
- Competitively priced for today's commercial market
- Promotes cleanliness & hygiene
- Proven Hydrotek craftsmanship and reliability

### Available in:

#### AC Powered Models

- ✓ Low Lead, AC Powered Scrub Sink (H-4000C-SD-LR)
- ✓ Low Lead, AC Powered with DC Backup Scrub Sink (H-4000C-SD-LRDC)

#### Battery Powered Models

- ✓ Low Lead, Battery Powered Scrub Sink Version (HB-4000C-SD-LR)



## Features:

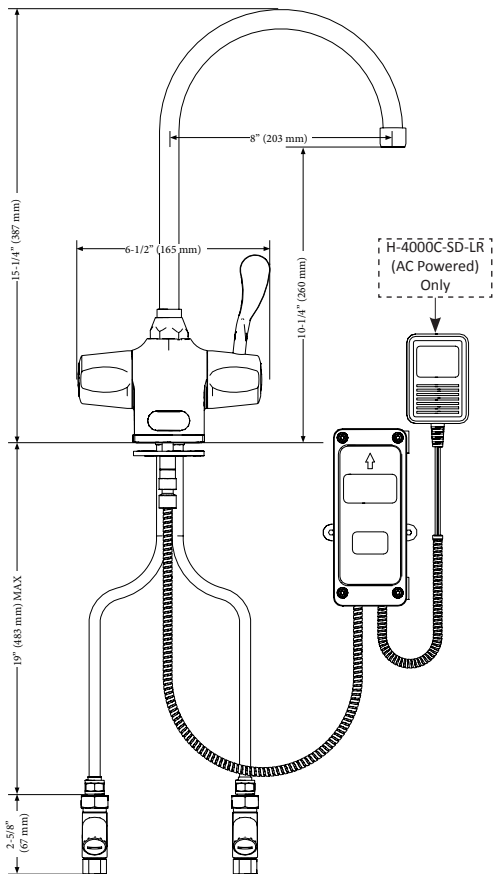
- **ACCU-SENSE** adjustable sensor eyes.
- Chrome plated, solid brass construction.
- Wall mountable, waterproof control box with armored, vandal resistant control and power cables.
- Preset/adjustable sensor range of 6" - 30" for various installation requirements.
- Standard automatic time-out feature. Preset at 30 seconds, but adjustable to 10, 30, or 60 seconds. Prevents accidental sink overflow.
- Shut-off delay is adjustable from 1 (preset) to 8 seconds.
- Solid brass body with single hole deck mounting. Optional 4" or 8" cover plate for 3 point anchoring.
- Includes in-line filter with clean-out trap to reduce maintenance costs.
- All parts are field-replaceable to ensure quick and easy repair.
- Same faucet-field switchable to AC or battery powered.
- AC with DC backup models automatically switch to batteries during a power outage.
- Manual override provides continuous water flow for special applications or in case of failure.
- Manual controlled temperature adjustment.
- Slow closing, piston-operated solenoid valve provides reliable and smooth operation without water hammer.
- Superior VSI silicone elastomer piston seals are unaffected by chlorine, chloramines, or ammonia.
- Standard 2.5 GPM Rose Spray Flow Control.
- Control module allows a unique self-check of all electrical components.

# Hydrotek Automatic Faucets

## 4000C-SD-LR Series

Deck Mounted / Mixing / Manual On & Off with Temperature Adjust

Meets ANSI/ASME A112.18.1 M-1989



### Operation:

1. A continuous, invisible beam is emitted from the sensor.
2. The faucet is activated by placing hands under the spout within the effective range of the beam. Water starts to flow immediately for as long as the user's hands remain in the sensor range.
3. When hands are removed, the water flow stops. The sensor will automatically reset and be ready for the next user.
4. In the battery powered version, a flashing red light will indicate a low battery condition.
5. Use the faucet handle for temperature adjustment and manual on/off.

### Specifications:

Faucet Construction:

- Solid brass, chrome plated

Control Circuit:

- Solid state, AC or battery, switchable

Auto. Time-out:

- Preset at 20 seconds and adjustable to 10, 30, or 60 seconds

Line Purge (request only):

- 2 minute run every 12 hours or 24 hours

Scrub Mode Delay (request only):

- 60, 120, 180 seconds

Sensor Range:

- Preset and adjustable

Shut-off Delay:

- Presets and adjustable from 1-8 seconds

Control Cable:

- Armored, vandal resistant

Solenoid Valve:

- 6V DC, normally closed

- Wattage: 0.4W (idle), 5W (in use)

- Operating Pressure: 5 psi to 125 psi

- 2.5 GPM Rose Spray for scrub sink

- 2.0 GPM Laminar (Optional)

Flow Control:

### AC Mode

Power Adapter

Standard Plug-in:

(UL/CSA)

Power Cable:

- Input AC 120V 60 Hz or 220V

- Output DC 12V, 0.8A/Class 2

- Armored, vandal resistant

Optional Multi-Unit Adapter:

- Serves up to 8 faucets

(UL/CSA)

- Input AC 120V, Output DC 12V, 3A

### Battery Mode

Battery Powered Models:

- (4) AA Alkaline Batteries

Battery Service Life:

- 400,000 on/off cycles, up to 4 years

### Package Includes:

- (1) Faucet with electronic sensor
- (1) Control box
- (1) 12V DC plug-in power adaptor (H-4000C, -DC, -LR and -LRDC only)
- (1) In-line filter with clean-out trap
- (1) Flex, S.S. supply tube, 3/8"
- (1) 6" Gooseneck Spout
- (1) Mounting hardware
- (1) 2.0 GPM Flow Control
- (4) AA Alkaline batteries (HB-4000C, -DC, -LR, -LRDC only)
- (1) Battery holder (HB-4000C, -DC, -LR, -LRDC only)

### Dimensions:

Base Width (Outside Measurement)	2-1/2"
Base Depth	2"
Faucet Height (Aerator to Base)	10-1/4"
Faucet Height Overall	15-1/4"
Depth (Center of Aerator to Center of Faucet Base)	5-1/8"
Mounting Bolt Length	2-1/2"
Mounting Bolt Pattern	Single-hole mount

### Optional Variations and Accessories

- 1.5 GPM Soft-Flow Aerator; 0.35, 0.5, 2.2 GPM Laminar Flow
- 4" or 8" Centerset Cover Plate
- HC-010 Multi-Unit Voltage Adapter (AC Powered Only) - 8 units
- HC-0104 Multi-Unit Voltage Adapter (AC Powered Only) - 4 units
- HBL-04 Thermostatic Mixing Valve with Checks

### HYDROTEK INTERNATIONAL, INC.

5055 Forsyth Commerce Rd., Ste 124

Orlando, FL 32807

800.922.9883 (Phone)

866.670.5580 (Fax)

www.hydrotekintl.com

