

# HYDROTEK INSTALLATION INSTRUCTIONS

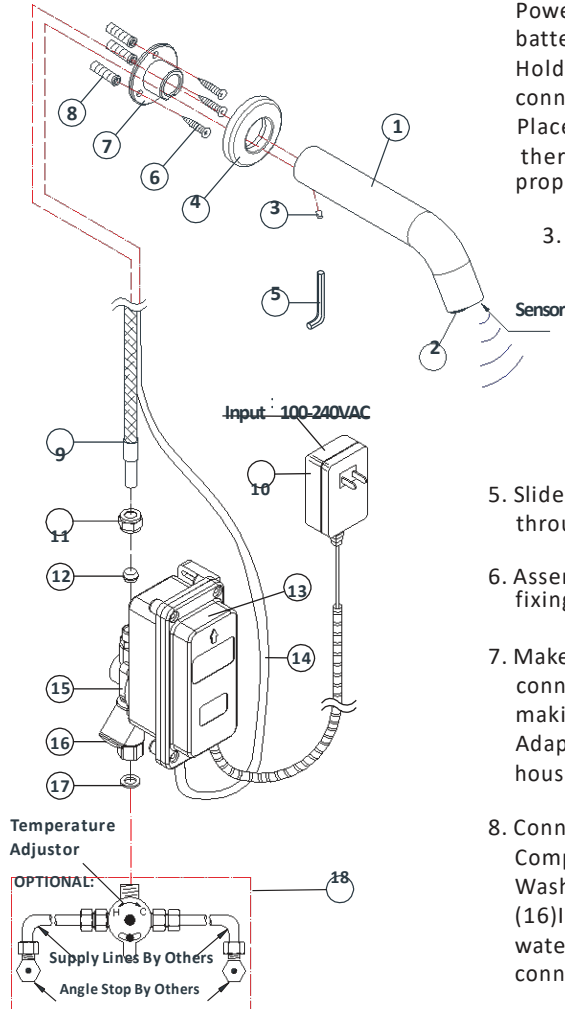
## Infrared Sensor Automatic Faucet - 2730 Series AC/DC Powered

### Parts Table

No.	Description	No.	Description
1.	Body	11.	Compression Nut
2.	Flow Control	12.	Compression Ferrule
3.	Screw	13.	Control Box
4.	Flange	14.	Sensor Eye Cable
5.	Wrench	15.	Solenoid Valve
6.	Fix Screw	16.	In-Line Filter
7.	Fix Seat	17.	Nylon Washer
8.	Plastic Sleeve	18.	Temperature Adjustor (Optional)
9.	Supply Tube		
10.	Power Adapter		

### Installation Instructions

- Prior to installing this faucet, thoroughly flush all water lines and replace stop washers, if required.
- To insure proper operation, "DRY TEST" the faucet by plugging (14) Sensor Eye Cable connector into the matching connector on the Circuit Board inside the (13) Control Box (Pull out Circuit Board and Battery Holder for easy access). Plug (10) Power Adapter output connector into corresponding connector on Circuit Board. Plug Power Adapter into AC outlet. (Properly install batteries in Battery Holder and plug Battery Holder output connector into corresponding connector on Circuit Board for DC powered.) Place your hand in front of faucet sensor eye. If there is a clicking sound, the faucet is activating properly, If not, call the Factory.
- After successful "DRY TEST", unplug Sensor Eye Cable and Power Adapter output connector from Circuit Board.
- Secure (7) Fix Seat on the wall above the Washing Basin using (6) Fix Screw and (8) Plastic Sleeve.
- Slide (9) Supply Tube and (14) Sensor Eye Cable through (7) Fix Seat.
- Assembling (4) Flange with the (7) Fix Seat, then fixing with (1) Body via (3) Screw.
- Make Sensor Eye Cable and Power Adapter connections as described in Instructions #2 making sure that Sensor Eye Cable and Power Adapter cable are seated into Control Box housing properly.
- Connect (9) Supply Tube using (11) and (12) Compression Nut and Ferrule. Check (17) Nylon Washer (or O-Ring) inset swivel nut located on (16) In-Line Filter inlet. (For pre-tempered or cold water only) Using a union fitting (not supplied), connect supply line (not supplied) from Angle



Stop to (16) In-Line Filter inlet swivel nut. (For tempered water) Attach optional Hydrotek HC-001 Mixing/Check Valve or HC-003 Mixing "T" w/Checks to In-Line Filter inlet. Use Teflon Tape, not Pipe Dope for all connections.

- Turn on water and check for leaks. Plug (10) Power Adapter into AC outlet. Reinstall Control Box Cover and tighten screws to insure that box is water-resistant. Place hands in front of Sensor Eye to activate water flow. Remove hands and water should stop. If not, refer to Troubleshooting. Periodically clean the filter element located inside (16) In-Line Filter.

### Important

- The stop valve should never be opened to the point where the water flow exceeds the flow capability of the fixture. The fixture must always be able to accommodate the continuous water flow from the valve in the event of a valve failure. Should the fixture overflow happen due to water exceeding the capability of the fixture & or the drain pipe, Hydrotek will not be responsible for any flood damages.
- This product contains mechanical and/or electrical components that are subject to normal wear. These components should be checked regularly (1 year is recommended) and replaced as needed to maintain the faucets performance. Call 1.800.922.9883 for further details.
- Do not use abrasives, acids or cleaning fluids to clean the Hydrotek Faucet as they may dull the luster and attack the chrome or special finishes. Use only soap and water then wipe with a clean cloth or towel.

### Troubleshooting

Problem	Possible Cause	To Diagnose	Remedy
Faucet Will Not Turn On.	Water not on.	Check water supply.	Turn on water supply.
	Power failure.	No light, no click: Check Batteries/ Power Adapter.	Re-install or replace Batteries. Replace Power Adapter.
	Low Battery.	Light continues to flash.	Replace Batteries.
	Circuit Board/Sensor is defective.	No light, no click : Re-insert Batteries or Re-attach Power Adapter.	Replace electronic Circuit Board.
	Solenoid Valve is clogged.	Solenoid is clicking but no water.	Clean Solenoid.
	In-Line Filter is clogged.	Open clean-out trap and check Filter.	Clean or replace filter.
	Solenoid Coil is defective.	Insert new Batteries or re-attach Power Adapter, Light blinks, but no clicking.	Replace Solenoid Coil.
Faucet Will Not Shut Off, Low Flow Drips.	Flow Control is clogged.	Open Flow Control device and check.	Clean the Flow Control device.
	Solenoid Valve is normally closed. Turn off water and activate the faucet, if there is a clicking sound, then the Solenoid is dirty. If there is no clicking sound, then check Solenoid Valve. If faucet has a low flow or is dripping, clean Solenoid Valve.		



Hydrotek International, Inc.  
1.800.922.9883 (Phone)  
1.866.670.5580 (Fax)  
www.hydrotekintl.com