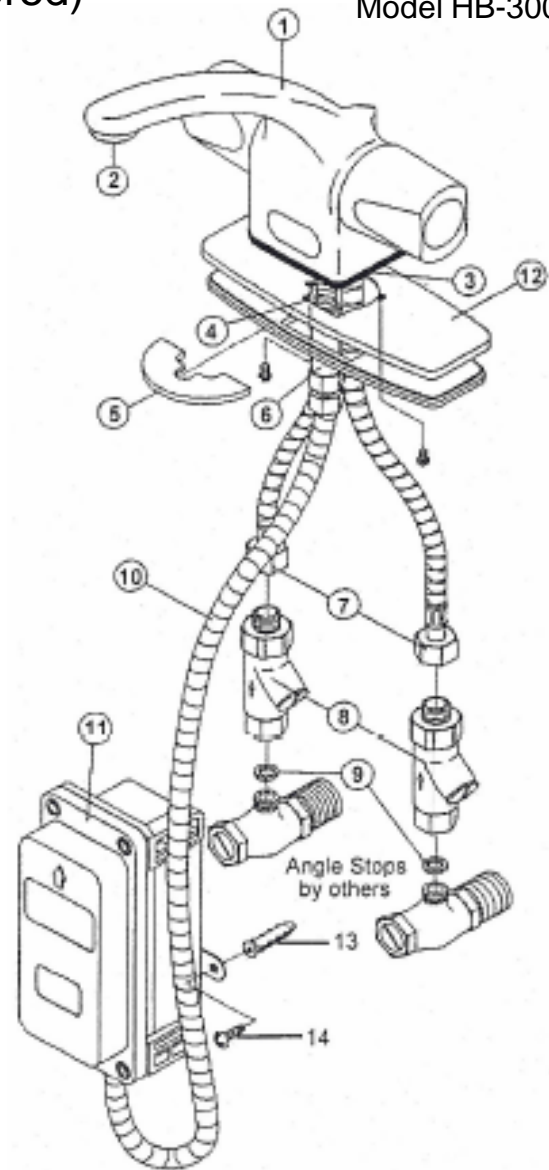


INSTALLATION INSTRUCTIONS

Hydrotek Mixing Automatic Faucet w/ Manual Control (Battery Powered)

Model HB-3000C

1. Prior to installing this faucet, thoroughly flush all water lines and replace stop washers, if necessary.
2. To ensure proper operation, " DRY TEST " the faucet by plugging the Sensor Eye Cable connector (10) into the matching connector on the PC board inside the Control Box (11). Pull out the PC board for easier access. Properly install batteries into Battery holder and plug the battery holder output connector into the corresponding connector on the PC board. Place your hand in front of the faucet's Sensor Eyes. If there is a clicking sound, the faucet is activating properly. If not, call the factory.
3. After successful "DRY TEST," unplug the Sensor Eye cable and Battery holder connectors from the PC board.
4. Attach the hot and cold water Supply Tubes (7) by screwing threaded ends into the bottom of the faucet body. (Note: Teflon tape is not required for supply tube connections to faucet body.) **CAUTION: DO NOT USE PIPE DOPE.**
5. Optional: Affix Cover Plate (12) to the bottom of the faucet and apply plumbers putty to the bottom of the faucet and cover plate.
6. Position faucet by lowering flexible Supply Tubes (7) and Control Cable (10) through deck hole. Secure faucet to sink deck using Mounting Washer (5) and Mounting Nut (6).
7. Considering the length of the Control Cable (10), drill two holes into the wall and insert Mounting Anchors (13). Position Control Box (11) so that the Control Cable (10) enters control box from the bottom. Attach control box to wall by aligning box mounting holes with mounting anchors using Anchor Screws (14).
8. Attach In-line Filter/Check Valves (8) to stop valves using Nylon Washers (9) inserted into filter inlet. Attach Supply Tubes (7) to Filter/Check Valve compression fittings. Left is the supply tube "HOT." Right is the supply tube "COLD." The filters may be cleaned by using a screwdriver to open the cleanout trap and removing the screen. **DO NOT USE PIPE DOPE. USE TEFLON TAPE ONLY.**
9. Open stop valves. Test faucet using manual control and check for leaks. Set water temperature using the control handle on the right side of the faucet.
10. Connect electrical cables as described in STEP #2. Control cable must be seated in the control box properly to maintain waterproof seal. Reinstall Control Box cover.
11. Test faucet by placing hands under spout. Water should begin to flow. Water flow should stop when hands are removed. If the faucet does not function properly, refer to the troubleshooting guide.
12. Sensor Distance (SDA) is factory preset. If you need to alter this setting, please call Hydrotek.



Part Number Descriptions	
1. Faucet body	8. Filter/Check Valve (2)
2. Laminar flow outlet device, 2.0 GPM	9. Nylon washer (2)
3. Gasket	10. Control cable
4. Mounting bolt	11. Control box
5. Mounting washer	12. Cover plate (optional)
6. Mounting nut	13. Mounting anchor (2)
7. Supply tube (2)	14. Anchor screw (2)

HYDROTEK INTERNATIONAL, INC.
 5055 Forsyth Commerce Rd. , Ste. 124
 Orlando, FL 32807
 1.800.922.9883 (Phone)
 1.866.670.5580 (Fax)
www.hydrotekintl.com